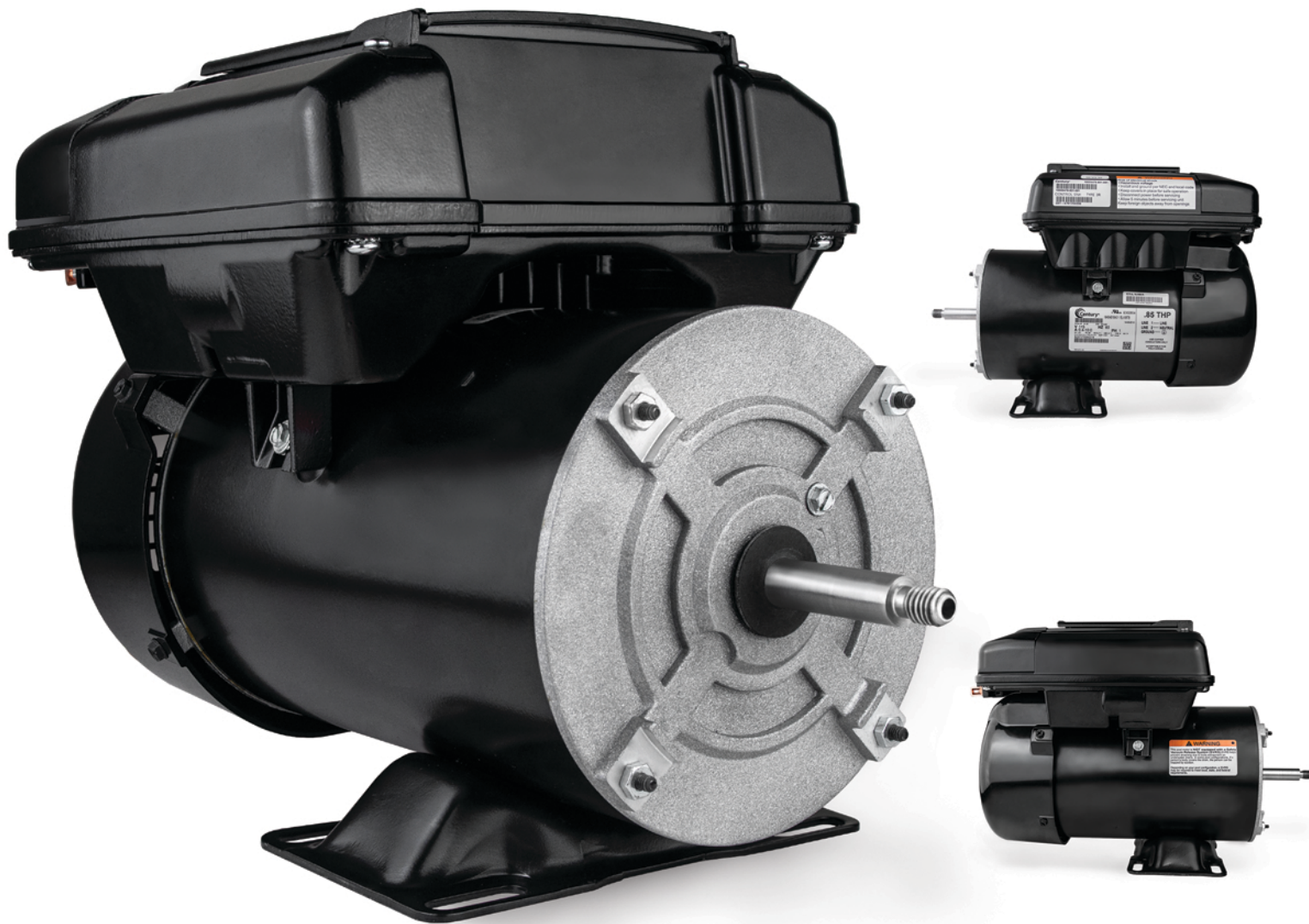


CENTURY VGREEN® 085
Variable Speed ECM Thru-Bolt Mount
Pool & Spa Motor



The programming flexibility offered by the VGreen® 085 variable speed motor makes it possible for pool owners to easily identify and adjust speed and duration settings necessary to maintain their pools and to maximize energy savings.

ELV08TB

- 0.01-0.85 HP
- 115 Volts
- 0.4-10.0 AMPS
- 600-3450 RPM
- TEFC
- CWLE
- Electronically Protected
- Ball Bearing
- Class F Insulation
- UV and Rain-Proof Enclosure
- 48Y Frame (3 - 1/2" Shaft Height)
- 5.146" Bolt Circle
- 9.625" Height
- 11" Length Less Shaft
- Stainless Steel Shaft