

Evergreen® DS

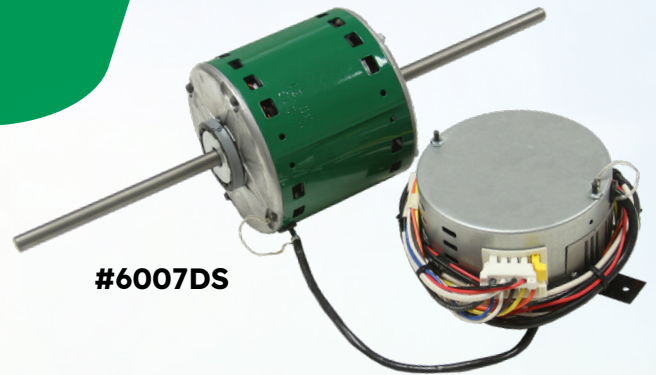
The Evergreen® DS dual shaft motor easily replaces most permanent split capacitor (PSC) motors in modular building applications. It is designed to replace direct drive, dual shaft induction motors found in HVAC indoor blower motor applications with forward curved (squirrel cage) blower wheels.

FEATURES:

- One motor replaces the following ratings:
 - » 3/4, 1/2 & 1/3 horsepower
 - » 1070 RPM
 - » Direct drive - 48 frame
 - » Dual voltage (120-240 VAC)
 - » Dual rotation
- Pedestal or belly band mount
- No capacitor required
- Connects directly to HVAC system controls
- No additional relays or wires needed

BENEFITS:

- Reduce truck stock and get the job done
- Supports MERV 13 filter integration
- Up to 25% energy savings in demand modes
- Up to 75% energy savings in continuous fan mode



APPLICATIONS:

- Modular buildings
 - » Schools
 - » Telecom
 - » Oil field site
 - » Amusement parks
 - » Storage containers
- Fan coils
- Room air conditioners



For more information on the Evergreen DS motor, scan this code with your smart phone or go to www.EvergreenDS-motors.com

www.ECMMadeEasy.com





GENTEQ® EVERGREEN® DS MOTOR

RELIABILITY:

- Encapsulated electronics
- Electronic overload protection
- Two year warranty*

* This warranty shall expire twenty-four (24) months from first use of the Product or thirty (30) months from date of shipment of the Product, whichever occurs first. Except as stated here, Regal Rexnord standard limited warranty applies. See www.regalrexnord.com (Terms and Conditions of Sale).

SPECIFICATIONS:

Voltage: 115/208-230 VAC (dual voltage)

Horsepower: 3/4 (3/4, 1/2, 1/3)

Speeds: 5

RPM: 1070

Rotation: CW/CCW (dual rotation) rotation viewed from lead end

Bearing: Permanently lubricated ball bearing

Ambient Rating: -20°C to 55°C on 1/3 HP and 1/2 HP (non-icing conditions)
-20°C to 45°C on 3/4 HP (non-icing conditions)

Enclosure: Open Air Over (OAO)

Frame: NEMA** 48 (5.6" diameter)

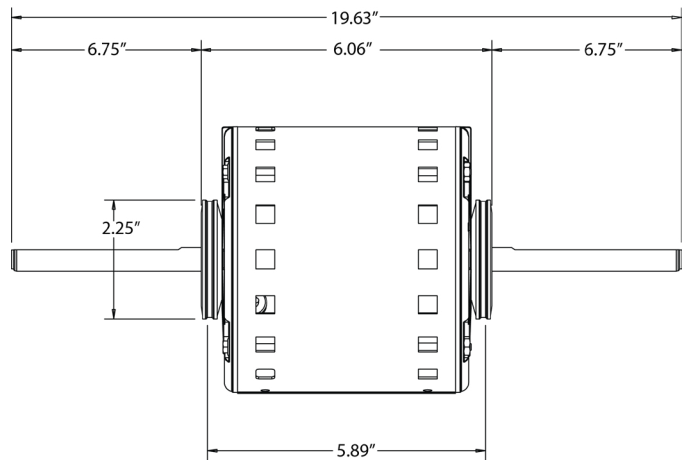
Shaft: Dual, 1/2" diameter, 6.75" length, 6.4" single flat

Mounting: Belly band or resilient ring (2.25" or 2.5" dia.)

UL recognized component

6 kV surge protection

STOCK	HP	VOLTS	FLA
6007DS	3/4	115V	11.0
		208-230V	6.7



Climate Solutions

Regal Rexnord

Customer Service: 800-672-6495

Fax: 800-468-2062

regalrexnord.com

The proper selection and application of products and components, including assuring that the product is safe for its intended use, are the responsibility of the customer. To view our Application Considerations, please visit <https://www.regalrexnord.com/Application-Considerations>.

To view our Standard Terms and Conditions of Sale, please visit <https://www.regalrexnord.com/Terms-and-Conditions-of-Sale> (which may redirect to other website locations based on product family).

NEMA is believed to be the trademark and/or trade name of National Electrical Manufacturers Association and is not owned or controlled by Regal Rexnord Corporation.

"Regal Rexnord" is not indicative of legal entity.

Regal Rexnord, ECM Made Easy, Evergreen and Genteq are trademarks of Regal Rexnord Corporation or one of its affiliated companies.

© 2022 Regal Rexnord Corporation, All Rights Reserved.
MCSSP22082E • Form# G0145E

