



PRODUCT CATALOG

UNLEASH THE POWER
OF REGAL REXNORD



INDUSTRIAL AC / DC CONTROLS

FEBRUARY 2022 | North America, Latin America



AC / DC CONTROLS

Quick Reference



DC Adjustable Speed Drives

Speedmaster™ DC drives for use with SCR rated motors. Models range from sub-FHP through 3 HP. NEMA®* 1, NEMA 4/12 and NEMA 4X enclosures available. Low voltage controls available through 120 amps @12/24 V and 100 amps @ 36/48 V.



SM2/SM4 Series Flux Vector Sub-Micro AC Inverters

Speedmaster sensorless vector drives with “big drive” features and ultra-compact size. SM2 - 1/2 through 25 HP. IP31 enclosure — NEMA 1 Type. SM4 - 1/2 through 10 HP IP65 NEMA 4.



Platinum e™ Series AC Inverters

Platinum e™ Series Drives are for use with an AC induction motor or a PMAC motor. IP20 enclosure protection. 1/3 HP through 30 HP.

LEESON® Speedmaster inverters are feature rich controls offering great process control and operating efficiency for your AC Motors. With our broad family of controls, we have the solution for your application needs at a competitive price.



Basic Features	SM2 Vector	SM4 Vector	Platinum VSD	Platinum e™ VSD - Plus
Enclosure Type	IP31	IP65	IP21	IP21
Enclosure Material	Plastic	Plastic	Plastic	Plastic
Number Pre-set Speeds	8	8	16	16
Washdown Duty	No	Yes	No	No
FWD & REV	Yes	Yes	Yes	Yes
Password Protected	Yes	Yes	Yes	Yes
Dynamic Brake Kits	No	No	No	Yes
Relays	Yes	Yes	Yes	Yes
EPM Programmable	Yes	Yes	Yes	Yes
Open Loop Vector	Yes	Yes	Yes	Yes
Closed Loop Vector	No	No	No	Yes
PMAC Motor Control	No	No	Yes	Yes
PID Software	Yes	Yes	Yes	No
Remote Keypads	Yes	Yes	Yes	Yes
Slip Compensation	Yes	Yes	Yes	Yes
Speed Reference Signals	Yes	Yes	Yes	Yes
Display - Words or Codes	4 - digit	4 - digit	Words & Codes	Words & Codes
Adjustable Carrier Frequency	4 - 10 kHz	4 - 10 kHz	2 - 16 kHz	2 - 16 kHz
DC Braking	Yes	Yes	Yes	Yes
Fault History	Yes	Yes	Yes	Yes
Max. HP @ 460 Volts	60	30	3	30
Max. HP @ 230 Volts	20	20	3	3
1 Phase Input / 3 Phase Output	Yes	Yes	Yes	Yes
Output Frequency	500 Hz	500 Hz	599 Hz	599 Hz

*NEMA is believed to be the trademark of National Electrical Manufacturers Corporation, and is not owned or controlled by Regal Rexnord Corporation.

DC CONTROLS

DC Adjustable Speed Drives

SCR Thyristor Controls

LEESON® Speedmaster™ DC Control Information



PWM and SCR Controls

General Specifications:

- General purpose for permanent magnet or shunt wound DC motors
- NEMA®* 4X and 4/12 suitable for washdown applications
- Dual voltage capable on most designs – see HP range
- 115 / 230 volt single-phase input voltage – DC 90 volt or 180 volt output
- Adjustable minimum and maximum speed
- Speed pot included on chassis controls
- Adjustable IR compensation
- Heat sinks required as noted
- PWM controls provide quieter operation, lower motor temperature and greater motor overload capacity

Regenerative Controls

General Specifications:

- Four quadrant controls for precise motion control
- NEMA 4X or chassis style
- Motoring and braking torque regulation ¼ HP through 2 HP

For NEMA Frame Motors & Gearmotors

SCR Controls - Enclosed - Single Phase Input 50/60 Hz

Description	Catalog Number	List Price (USD)	Output Amps	HP Range		App. Wgt. (lbs.)
				115V	230V	
NEMA 1 General Purpose						
—Non-Reversing	174307.00	\$693	10	1/8 to 1 Δ	1/4 to 2 Δ	5
—Reversing with dynamic braking	174308.00	\$948	10	1/8 to 1 Δ	1/4 to 2 Δ	5
—Heat Sink Δ	174316.00	\$155	—	—	—	1
NEMA 4X Washdown — Dust-Tight						
—Non-Reversing, Plastic Enclosure	174102.00	\$943	10	1/8 to 1	1/4 to 2	6
—Non-Reversing, Plastic Enclosure with Signal Follower	174103.00	\$1,374	10	1/8 to 1	1/4 to 2	7
—Reversing, Plastic Enclosure	174107.00	\$1,282	10	1/8 to 1	1/4 to 2	7
NEMA 4						
—Non-Reversing 3HP	174709.00	\$1,815	15	—	3	8

Prices and specifications are subject to change without notice

*NEMA is believed to be the trademark of National Electrical Manufacturers Corporation, and is not owned or controlled by Regal Rexnord Corporation.

DC CONTROLS

DC Adjustable Speed Drives

SCR Thyristor Controls

LEESON® Speedmaster™ DC Control Information

SCR Controls - Open Chassis

Description	Catalogue Number	List Price (USD)	Output Amps	HP Range		App. Wgt. (lbs.)
				115V	230V	
Chassis with Speed Pot-Non Reversing	174311.00	\$385	10	1/8 to 1 ■	1/4 to 2 ■	1
Chassis Heat Sink ■	174314.00	\$114	—	—	—	1

Prices and specifications are subject to change without notice.

Regenerative SCR Drives - Four Quadrant - Full Wave

Description	Catalogue Number	List Price (USD)	Output Amps	HP Range		App. Wgt. (lbs.)
				115V	230V	
NEMA®* 4X Washdown ▲	175720.00	\$1979	10	1/4 to 1 ▼	1/2 to 2 ▼	8
Open Chassis with Speed Pot ▲	175721.00	\$1277	10	1/4 to 1 ▼	1/2 to 2 ▼	2
Chassis Heat Sink ▼	175722.00	\$222	—	—	—	2

Prices and specifications are subject to change without notice.

For Subfractional HP Motors & Gearmotors

PWM Controls - Enclosed - Single Phase Input 50/60 Hz

Description	Catalogue Number	List Price (USD)	Output Amps	HP Range		App. Wgt. (lbs.)
				115V	230V	
NEMA 1 General Purpose						
—SCR Non-Reversing	M1740005.00	\$664	3	1/40 to 1/8	1/40 to 1/4	5
—SCR Reversing With Dynamic Braking	M1740006.00	\$898	3	1/40 to 1/8	1/40 to 1/4	5
—PWM Non-Reversing	M1740008.00	\$577	3	1/40 to 1/8	1/40 to 1/4	2

Price specifications are subject to change without notice.



PWM & SCR Controls - Open Chassis

Description	Catalogue Number	List Price (USD)	Output Amps	HP Range		App. Wgt. (lbs.)
				115V	230V	
Open Chassis SCR Type						
—Chassis with Speed Pot-Non Reversing	M1740007.00	\$368	1.5	1/40 to 1/8	1/40 to 1/4	1
Open Chassis PWM Type						
—Chassis with Speed Pot-Non Reversing	M1740009.00	\$430	2	1/40 to 1/8	—	1

Price specifications are subject to change without notice.

- Chassis Heat Sink #HSK-0001 required for 3/4 and 1HP 115V and 1-1/2 and 2HP 230V when the amp draw of the motor exceeds 5 amps.
- ▼ Chassis Heat sink #HSK-0004 required for 1HP and above when the amp draw of the motor exceeds 5 amps.
- ▲ Regenerative drives are reversible and have regenerative braking.

*NEMA is believed to be the trademark of National Electrical Manufacturers Corporation, and is not owned or controlled by Regal Rexnord Corporation.

DC CONTROLS

DC Adjustable Speed Drives

SCR - 4 Quadrant - Chassis - Regenerative Controls

Features:

- Industry standard footprint - Allows for replacing competitive drives
- Microprocessor-based design - Allows for customer programming
- Fully regenerative - 4-Quadrant allows for quick braking
- Multiple operation modes - speed, torque, cycling and positioning
- 3-Wire / Stopping modes - Inhibit (braking) and Enable (coasting) can be used for frequent starting and stopping

Specifications:

- AC Line Voltage: 115 / 230 VAC, $\pm 10\%$, 50/60 Hz, 1 \emptyset
- Field Voltage with 115 VAC Line (230 VAC Line): 50/100 (100/200) VDC
- Maximum Field Amperage: 0.74 Amps
- Acceleration Time Range: 0.1 - 15 seconds
- Deceleration Time Range: 0.1 - 15 seconds
- Analog Signal Range: 0 \pm 10 VDC, 4 - 20 mA
- Input Impedance (COM to SIG1, SIG2): >100K Ω
- Form Factor: 1.37 at base speed
- Tachogenerator Feedback Range: 0 to 7 - 50 VDC / 1000 RPM
- Load Regulation:
 - Armature Feedback: 1.0% of base speed or better
 - Tach Feedback: 0.1% of base speed or better
- Speed Range
- Armature Feedback: 50:1
- Tach Feedback: 60:1
- Ambient Temperature Range: 10°C - 50°C

Catalog Number	Enclosure	List Price (USD)	Maximum Current (ADC)	Input Voltage (VDC)	Output Voltage (VDC)	HP Range	Field / Shunt Supply (VDC)	Braking	Reversing	Isolation
						HP				
174062.00	Chassis	\$595	1.5	115	0-90	1/50 - 1/8	YES	YES Regenerative	YES Regenerative	YES
				230	0-90	1/50 - 1/8				
					0-180	1/25 - 1/4				
174064.00	Chassis	\$595	11**	115	0-90	1/8 - 1	YES	YES Regenerative	YES Regenerative	YES
				230	0-90	1/8 - 1				
					0-180	1/4 - 2				

**Heat sink kit 174314.00 must be used when the continuous output current is above 8 amps.

Prices and specifications are subject to change without notice.

DC CONTROLS

DC Adjustable Speed Drives

SCR - 4 Quadrant - Chassis - Regenerative Controls

Features:

- Industry standard footprint - Allows for replacing competitive drives
- Microprocessor-based design - Allows for customer programming
- Fully regenerative - 4-Quadrant allows for quick braking
- Torque mode - Can be used for speed control or torque control
- Stopping modes - Inhibit (braking) can be used for N.O. or N.C. operation
- Can be used for frequent starting and stopping
- Bidirectional (Wigwag) mode - Can be set so that the potentiometer determines both speed and direction

Specifications:

- AC Line Voltage: 115 / 230 VAC, $\pm 10\%$, 50/60 Hz, 1 \emptyset
- Acceleration Time Range: 0.5 - 20 seconds
- Deceleration Time Range: 0.5 - 20 seconds
- Analog Signal Range: 0 \pm 10 VDC
- Input Impedance (COM to SIG1): >100K Ω
- Form Factor: 1.37 at base speed
- Load Regulation: 1.0% of base speed or better
- Speed Range 50:1
- Ambient Temperature Range: 10°C - 50°C

Catalog Number	Enclosure	List Price (USD)	Maximum Current (ADC)	Input Voltage (VDC)	Output Voltage (VDC)	HP Range	Field / Shunt Supply (VDC)	Braking	Reversing	Isolation
						HP				
174065.00	Chassis	\$387	1.5	115	0-90	1/50 - 1/8	NO	YES Regenerative	YES Regenerative	NO
				230	0-90	1/50 - 1/8				
					0-180	1/25 - 1/4				
174066.00	Chassis	\$387	11 Δ	115	0-90	1/8 - 1	NO	YES Regenerative	YES Regenerative	NO
				230	0-90	1/8 - 1				

Δ Heat sink kit 174314.00 must be used when the continuous output current is above 8 amps. Prices and specifications are subject to change without notice.

DC Adjustable Speed Drives - SCR Controls

15 Series

General Specifications:

- 0-90 / 0-180 volts DC
- Adjustable min. and max. speed
- Adjustable IR compensation
- Fixed acceleration - 5 seconds
- 5K ohm speed potentiometer included
- 25:1 speed range and 1% speed regulation



NEMA 4/12
Non-Reversing



Figure 1



Figure 2

Description	Catalog Number	List Price (USD)	Output Amps	HP Range		App. Wgt. (lbs.)
				115V	230V	
NEMA** 4/12 Non-Reversing	174696.00	\$449	3	1/3	2/3	1
Chassis - Figure 1	174695.00	\$258	2	1/6	1/6	1
Chassis - Figure 2	174694.00	\$258	2	1/6	1/6	1

Prices and specifications are subject to change without notice.

*NEMA is believed to be the trademark of National Electrical Manufacturers Corporation, and is not owned or controlled by Regal Rexnord Corporation.

DC CONTROLS

Low Voltage Adjustable Speed Controllers



General Specifications:

- Chassis type design
- DC input / DC output
- Speed potentiometer shipped loose
- High Efficient designs increase battery life

Features:

- 40:1 speed range
- Holds speed control as battery discharges
- Adjustable min. and max. speeds
- IR compensation
- 200% current limit overload protection
- Inhibit pins provide optional start-stop
- Power on LED indicator

For NEMA Frame Motors & Gearmotors

SCR Controls - Enclosed - Single Phase Input 50/60 Hz

Input Voltage	Catalog Number	List Price (USD)	Output Amps	Dimensions (inches)			App. Wgt. (lbs.)
				Length	Width	Height	
12/24	175290.00	\$831	16	6.90	4.44	2.19	2
12/24	175291.00	\$1011	60	7.78	6.90	3.25	4
36/48	175292.00	\$1011	60	7.78	6.90	3.25	4

Prices and specifications are subject to change without notice.

General Specifications:

- Chassis type design
- DC input / DC output
- Speed potentiometer shipped loose
- High efficient designs increase battery life



Features:

- Sleep mode feature
- Accepts switch closure for reversing and braking
- Built-in short circuit protection
- 1.01 Form factor
- Built-in temperature sensor
- On board trim pots for calibration, speed and forward and reverse settings

Four Quadrant Control

Input Voltage	Catalog Number	List Price (USD)	Output Amps	Dimensions (inches)			App. Wgt. (lbs.)
				Length	Width	Height	
12/24	174298.00	\$1,796	120	6.90	5.00	2.50	3
36/48	174299.00	\$1,796	100	6.90	5.00	2.50	3

Prices and specifications are subject to change without notice.

*NEMA is believed to be the trademark of National Electrical Manufacturers Corporation, and is not owned or controlled by Regal Rexnord Corporation.

DC CONTROLS

Dual Mode - Dual Speed Controllers

- SCR control designed to run two DC motors at the same time in either independent mode or slave/master mode
- Open chassis design
- Dual voltage, 115-230 VAC input with jumper
- Selectable 90/180 VDC output
- Jumper selectable speed and torque mode
- Two trim pots each for the minimum speed, maximum speed, IR compensation, current limit and acceleration/deceleration
- Comes standard with two potentiometers



HP	Input Voltage	Output Amps	Output Voltage	Catalog Number	List Price (USD)	App. Wgt. (lbs)
1 HP @ 90 VDC	115/230	10**	0-90/0-180	174422.00	\$596	3
2 HP @ 180 VDC						

** Heat sink 174314.00 is required if one side provides more than 5A or the output on both sides is more than 6.5A. Prices and specifications are subject to change without notice.

Control Accessories

Description	Catalog Number	List Price (USD)
Inhibit Plug	900282.01	\$79
Speed Pot (10k/5w pot, washers & nut)	006708.01	\$99

Prices and specifications are subject to change without notice.



FHP™ Series AC Drives - Chassis Mount

Single Phase Input / Single or Three Phase Output

HP	Input Voltage	Output Amps	Output Voltage	Catalog Number	List Price (USD)	App. Wgt. (lbs)
1/4	115	2.4	115	175320.00	\$609	3
1/2	230	2.4	230	175321.00	\$609	3
1/2	115/230	2.4	230	175310.00	\$773	3
1/2	115	4.0	115	175322.00	\$756	4
1	230	4.0	230	175323.00	\$750	4
1	115/230	4.0	230	175311.00	\$980	4

Prices and specifications are subject to change without notice.



FHP Series AC Drives - Accessories

Description	Catalog Number	List Price (USD)	App. Wgt. (lbs)
Process Control Module (PCM) Kit♦	175324.00	\$188	2
Carrier Frequency Capacitor Kit	175325.00	\$45	1

♦PCM Kit is for use with chassis drives only. Specifications are subject to change without notice.

DC CONTROLS

FFHP Series AC Drives - NEMA®* 4X (IP65)



- NEMA 4X enclosure
- Min speed adjustment
- Jumper selectable features:
 - DC injection braking or coast to stop
 - Brake time and current are adjustable
 - Auto or manual restart after power loss
- Built-in isolation card to accept a speed reference signal

Single Phase Input / Three Phase Output

HP	Input Voltage	Output Amps	Output Voltage	Catalog Number	List Price (USD)	App. Wgt. (lbs)
1/6 - 1	115/230	4.0	230	175326.00	\$1,377	7

Prices and specifications are subject to change without notice.

FHP™ Series AC Controls AC Adjustable Speed Drives

General Specifications:

The FHP Series volts/hertz-type AC drives are as simple to set-up and calibrate as an SCR-type DC drive. Compact chassis design maintains industry standard mounting hole locations.

Features:

Common features for chassis and enclosed units:

- Compact size – (4.30" x 3.70")
- Output voltage on dual voltage models is jumper selectable and has voltage doubler
- Acceleration and deceleration trim pots
- Torque, maximum speed and torque limit trim pots
- Torque 'foldback' feature – Allows up to 200% torque for short periods
- 16kHz switching frequency, with option to change between 4 and 16kHz
- Adjustable torque boost for startup – Up to 200%
- Color-coded on-board LEDs for power, fault and torque limit
- Easy start/stop and direction control with enable and direction terminal connections
- Accepts speed reference from 0-5VDC isolated signal
- Speed potentiometer shipped loose
- Plug-in Process Control Module (PCM) kit available to accept 0-5 VDC, 0-10 VDC or 4-20mA input
- UL®* listed

PARAMETER	SPECIFICATIONS FOR ALL FHP MODELS
Max load	150% for 5 minutes
Output frequency	0-120Hz
Output type	6 step PWM
Switching frequency	4-16kHz range† with 16kHz as factory default
Speed regulation and range	±3% of base speed; up to 50:1
On-board adjustable trim pots	Max speed, accel, decel, boost & torque limit
Adjustable maximum frequency range	32-120Hz
Adjustable accel and decel time range	1-12 seconds
Torque boost range	0-200%
LED indicators	Power (green), Fault† (red), Torque Limit (yellow)
Instantaneous over-current trip time	3 µsec
Analog reference input and impedance	0-5VDC isolated, ~100Kohm
Plug-in PCM isolator card input	0-5 VDC, 0-10VDC, 4-20mA
Ambient temperature range	0-40°C
Weight (Chassis Models)	1.2 lbs.
Vibration (>50Hz)	0.5G max (20-50Hz); 0.1G max
Approvals	UL, cUL

† Plug-in capacitor kit (175325.00) for field adjustments to less than 16kHz
 Faults are Over-voltage, Under-voltage and Instantaneous Over Current trip
 Specifications are subject to change without notice.

*The following trademarks or trade names are not owned or controlled by Regal Rexnord Corporation: NEMA is believed to be the trademark of National Electrical Manufacturers Corporation; UL is a trademark or trade name of Underwriters Laboratories.

AC CONTROLS

SM and SM-Plus Series Replacement Chart

The SM Series and SM-Plus Series of variable frequency drives are being discontinued. The tables below will assist to find an upgraded replacement. The replacement SM2 Series offers additional or upgraded features including:

- IP31 NEMA®* enclosure.
- 8 more preset speeds
- Open-loop vector
- PID software
- 4-digit display



SM SERIES SUB-MICRO VFD IP20 Rated

SM Series Catalog #	Width inches	Height inches	Depth inches	Description
174286.00	4.52	5.74	5.46	3PH.3HP400-480V
174287.00	4.52	5.74	6.72	3PH.5HP400-480V
174267.00	3.69	5.74	3.26	1 OR 3PH.1/3HP208/240V
174274.00	3.69	5.74	3.26	3PH.1/2HP208/240V
174268.00	3.69	5.74	3.26	1 OR 3PH.1/2HP208/240V
174276.00	3.69	5.74	3.62	3PH.1HP208/240V
174270.00	3.69	5.74	3.62	1PH IN/3PH OUT.1HP208/240V
174271.00	4.56	5.74	4.87	1 OR 3PH.1.5HP208/240V
174272.00	4.52	5.74	4.87	1 OR 3PH.2HP208/240V
174279.00	4.52	5.74	5.50	3PH.3HP208/240V
174273.00	4.52	5.74	5.50	1 OR 3PH.3HP208/240V
174288.00	4.52	5.74	6.72	3PH.5HP208-240V
174293.00	5.82	7.74	7.15	3 PH.15HP400-480V
174285.00	4.52	5.74	6.72	3 PH.75HP400-480V
174291.00	6.2	7.5	4.3	3 PH.10HP400-480V
174265.00	3.89	7.51	5.78	1PH.1HP110/120V
174264.00	3.89	7.47	4.36	1PH.1/2HP110/120V
174263.00	3.89	7.47	4.36	1PH.1/3HP110/120V
174266.00	3.89	7.47	4.36	1PH.1.5HP110/120V
174277.00	3.89	7.51	5.78	3PH.1.5HP208/240V
174278.00	3.89	7.51	5.78	3PH.2HP208/240V
174292.00	5.11	9.83	6.29	3 PH.15HP208-240V
174280.00	3.89	7.47	4.36	3 PH.75HP208-240V
174284.00	3.89	7.47	4.36	3PH.2HP400-480V
174281.00	3.89	7.47	4.36	3PH.1/2HP400-480V
174282.00	5.11	9.83	6.29	3PH.1HP400-480V
174283.00	5.11	9.83	6.29	3PH.1.5HP400-480V

REPLACEMENT SM2 VFD IP31 Rated

SM2 Catalog #	Width inches	Height inches	Depth inches	Description
174624.00	3.89	7.51	5.42	440/480V 2.2kW 3Ph N1
174625.00	3.89	7.51	5.78	400/480V 4kW 3Ph N1
174606.00	3.89	7.47	4.36	200/240V 0.25kW 1P N1
174607.00	3.89	7.47	4.36	240V 0.37kW 1&3Ph N1
174607.00	3.89	7.47	4.36	240V 0.37kW 1&3Ph N1
174608.00	3.89	7.47	4.36	240V 0.75kW 1&3Ph N1
174608.00	3.89	7.47	4.36	240V 0.75kW 1&3Ph N1
174609.00	3.89	7.51	5.42	200/240V 1.1kW 1&3P N1
174610.00	3.89	7.51	5.42	240V 1.5kW 1&3Ph N1
174611.00	3.89	7.51	5.42	200/240V 2.2kW 3Ph N1
174611.00	3.89	7.51	5.42	200/240V 2.2kW 1&3P N1
174615.00	3.89	7.51	5.78	200/240V 4kW 3Ph N1
174628.00	6.92	12.50	8.06	400/480V 11kW 3Ph N1
174626.00	5.11	9.83	6.29	400/480V 5.5kW 3Ph N1
174627.00	5.11	9.83	6.29	480V 7.5kW 3Ph N1
174605.00	3.89	7.47	4.36	120/240V 0.75kW 1Ph N1
174604.00	3.89	7.47	4.36	120/240V 0.37kW 1Ph N1
174603.00	3.89	7.47	4.36	120/240V 0.25kW 1Ph N1
174651.00	3.89	7.51	5.42	120V 1.1kW 1Ph N1
174609.00	3.89	7.51	5.42	200/240V 1.1kW 3Ph N1
174610.00	3.89	7.51	5.42	220/240V 1.5kW 3Ph N1
174618.00	6.92	12.50	8.06	200/240V 11kW 3Ph N1
174616.00	5.11	9.83	6.29	200/240V 5.5kW 3Ph N1
174623.00	3.89	7.51	5.42	400/480V 1.5kW 3Ph N1
174620.00	3.89	7.47	4.36	480V 0.37kW 3Ph N1
174621.00	3.89	7.47	4.36	440/480V 0.75kW 3Ph N1
174622.00	3.89	7.51	5.42	400/480V 1.1kW 3Ph N1

Specifications are subject to change without notice.

*NEMA is believed to be the trademark of National Electrical Manufacturers Corporation, and is not owned or controlled by Regal Rexnord Corporation.

AC CONTROLS

SM and SM-Plus Series Replacement Chart



SM-PLUS SUB-MICRO VFD IP20 Rated

SM-PLUS Catalog #	Width inches	Height inches	Depth inches	Description
174492.00	6.92	12.50	8.06	1PH.1HP.115/230V
174445.00	6.92	12.50	8.06	1PH.1.5HP.115/230V
174453.00	6.92	12.50	8.06	1 or 3PH.1/2HP.200-230V
174452.00	6.92	12.50	8.06	1 OR 3PH.1/4HP.200-230V
174454.00	6.92	12.50	8.06	1 or 3PH.1HP.200-230V
174493.00	6.92	12.50	8.06	1 OR 3PH.1.5HP.200-230V
174494.00	6.92	12.50	8.06	1 OR 3PH.2HP.200-230V
174495.00	6.92	12.50	8.06	1 OR 3PH.3HP.200-230V
174444.00	6.92	12.50	8.06	1 OR 3PH.5HP.200-230V
174435.00	3.89	7.51	5.42	3PH.20HP.550-575V
174455.00	3.89	7.51	5.42	3PH.1HP.200-230V
174456.00	3.89	7.51	5.42	3PH.1.5HP.200-230V
174457.00	3.89	7.51	5.42	3PH.2HP.200-230V
174446.00	3.89	7.51	5.42	3PH.5HP.200-230V
174429.00	3.89	7.51	5.42	3PH.15HP.200-230V
174430.00	3.89	7.51	5.42	3PH.20HP.200-230V
174458.00	3.89	7.51	5.42	3PH.3HP.200-230V
174438.00	3.89	7.51	5.42	3PH.7.5HP.200-230V
174439.00	3.89	7.51	5.42	3PH.10HP.200-230V
174431.00	3.89	7.51	5.42	3PH.15HP.460-480V
174432.00	3.89	7.51	5.42	3PH.20HP.460-480V
174434.00	3.89	7.47	4.36	3PH.15HP.550-575V
174436.00	3.89	7.47	4.36	3PH.25HP.550-575V
174433.00	3.89	7.47	4.36	3PH.25HP.460-480V
174500.00	5.11	9.83	6.29	3 PH.30HP.460-480V
174460.00	5.11	9.83	6.29	3PH.1HP.460-480V
174462.00	5.11	9.83	6.29	3PH.2HP.460-480V
174461.00	3.65	5.74	5.74	3PH.1.5HP.460-480V
174459.00	3.65	5.74	3.93	3PH.1/2HP.460-480V
174447.00	4.56	5.74	6.72	3PH.5HP.460-480V
174448.00	4.56	5.74	6.72	3PH.5HP.550-575V
174463.00	3.65	5.74	5.74	3PH.3HP.460-480V
174464.00	3.65	5.74	4.72	3PH.1HP.550-575V
174491.00	3.65	5.74	5.74	3PH.2HP.550-575V
174497.00	4.56	5.74	6.72	3PH.3HP.550-575V
174441.00	5.82	7.74	7.15	3PH.10HP.460-480V
174440.00	5.82	7.74	7.15	3PH.7.5HP.460-480V
174443.00	5.82	7.74	7.15	3PH.10HP.550-575V
174442.00	5.82	7.74	7.15	3PH.7.5HP.550-575V

REPLACEMENT SM2 VFD IP31 Rated

SM2 Catalog #	Width inches	Height inches	Depth inches	Description
174605.00	3.89	7.47	4.36	120/240V 0.75kW 1Ph N1
174651.00	3.89	7.51	5.42	120V 1.1kW 1Ph N1
174607.00	3.89	7.47	4.36	240V 0.37kW 1&3Ph N1
174607.00	3.89	7.47	4.36	240V 0.37kW 1&3Ph N1
174608.00	3.89	7.47	4.36	240V 0.75kW 1&3Ph N1
174609.00	3.89	7.51	5.42	200/240V 1.1kW 1&3P N1
174610.00	3.89	7.51	5.42	240V 1.5kW 1&3Ph N1
174611.00	3.89	7.51	5.42	200/240V 2.2kW 1&3P N1
No direct cross.				
174638.00	6.92	12.50	8.06	600V 15kW 3Ph N1
174608.00	3.89	7.47	4.36	240V 0.75kW 1&3Ph N1
174609.00	3.89	7.51	5.42	200/240V 1.1kW 3Ph N1
174610.00	3.89	7.51	5.42	220/240V 1.5kW 3Ph N1
174615.00	3.89	7.51	5.78	200/240V 4kW 3Ph N1
174618.00	6.92	12.50	8.06	200/240V 11kW 3Ph N1
174619.00	6.92	12.50	8.06	200/240V 15kW 3Ph N1
174611.00	3.89	7.51	5.42	200/240V 2.2kW 3Ph N1
174616.00	5.11	9.83	6.29	200/240V 5.5kW 3Ph N1
174617.00	5.11	9.83	6.29	240V 7.5kW 3Ph N1
174628.00	6.92	12.50	8.06	400/480V 11kW 3Ph N1
174629.00	6.92	12.50	8.06	400/480V 15kW 3Ph N1
174637.00	6.92	12.50	8.06	600V 11kW 3Ph N1
174639.00	6.92	12.50	8.06	600V 18.5kW 3Ph N1
174630.00	6.92	12.50	8.06	400/480V 18.5kW 3Ph N1
174991.00	6.92	12.50	8.06	400/480V 22kW 3Ph N1
174621.00	3.89	7.47	4.36	440/480V 0.75kW 3Ph N1
174623.00	3.89	7.51	5.42	400/480V 1.5kW 3Ph N1
174622.00	3.89	7.51	5.42	400/480V 1.1kW 3Ph N1
174620.00	3.89	7.47	4.36	480V 0.37kW 3Ph N1
174625.00	3.89	7.51	5.78	400/480V 4kW 3Ph N1
174634.00	3.89	7.51	5.78	600V 4kW 3Ph N1
174624.00	3.89	7.51	5.42	440/480V 2.2kW 3Ph N1
174631.00	3.89	7.47	4.36	600V 0.75kW 3Ph N1
174632.00	3.89	7.51	5.42	600V 1.5kW 3Ph N1
174633.00	3.89	7.51	5.42	600V 2.2kW 3Ph N1
174627.00	5.11	9.83	6.29	480V 7.5kW 3Ph N1
174626.00	5.11	9.83	6.29	400/480V 5.5kW 3Ph N1
174636.00	5.11	9.83	6.29	600V 7.5kW 3Ph N1
174635.00	5.11	9.83	6.29	600V 5.5kW 3Ph N1

Specifications are subject to change without notice.

AC CONTROLS

SM2 Series Flux Vector Series AC Inverters

NEMA®* 1 IP31 Enclosure Protection



General Specifications:

- Designed to be used with vector duty rated AC motors
- Open loop flux vector designs
- Typical applications would include: food processing, machinery, material handling and HVAC systems
- Enclosure: NEMA1, IP31, -10 to 55°C, 2.5% derate per °C above 40°C

Standard Features:

Easy Set-up and Operation: Program the vector control in one of four convenient ways:

- From the front of the drive
- The optional remote keypad
- A PC using TechLink software (Available free from www.leeson.com)
- The innovative EPM programmer

Modes of operation:

- Open loop flux vector (speed or torque)
- V/Hz (constant or variable)
- Enhanced V/Hz with auto-tuning

Easy to Use Keypad & Display

6-Button Interface:

- Start
- Stop
- Forward/reverse
- Scroll up
- Scroll down
- Enter/mode

Vivid Illumination:

- 4 digit LED display
- Easy to read from a distance
- Movable decimal point

Acceleration/Deceleration Profiles:

- Two Independent accel ramps
- Two Independent decel ramps
- Linear or S-type
- Auxiliary ramp-to-stop

Output Frequency:

- 500 Hz Std., 1000 Hz optional

Selectable Logic Assertion:

- Positive logic input (PNP current sourcing)
- Negative logic input (NPN current sinking)

*NEMA is believed to be the trademark of National Electrical Manufacturers Corporation, and is not owned or controlled by Regal Rexnord Corporation.

AC CONTROLS

SM2 Series Flux Vector Series AC Inverters

NEMA® 1 IP31 Enclosure Protection

Multiple Braking Functions

- Loss of follower management
- Speed commands: keypad, jog, floating point control
- Voltage: Scalable 0-10 VDC
- Current: Scalable 4-20 mA, potentiometer
- 8 preset speeds
- Process control: PID modes: direct or reverse acting
- PID sleep mode
- Voltage monitoring
- Current monitoring
- Real time monitoring: 8 register fault history, software version drive network ID, DC bus
- Voltage (V), motor voltage (V), output current (%)
motor current (A), motor torque (%), power (kW)
energy consumption (kWh), heatsink
- Temperature (°C), 0-10 VDC input (user defined), 4-20 mA input (user defined) PID
feedback (user defined), analog output (% load, % torque, kW), network speed
(baud rate), terminal
continuity, keypad status
- Elapsed run time (hours), elapsed power on time (hours)
- Standards: UL®* (USA), cUL®* (Canada), CE®* (Europe), GOST®* (Russia/Ukraine)
C-Tick®* (Australia/New Zealand)

Single Phase Input / 230 Volt Three Phase Output

Voltage	HP	Output Amps	Input Voltage■	Catalog Number	List Price (USD)	App. Wgt. (lbs)	Dimensions H x W x D (in.)
115-230 Volts	1/3	1.7	115/230	174603.00	\$862	3	7.5 x 3.9 x 4.35
	1/2	2.4	115/230	174604.00	\$885	3	7.5 x 3.9 x 4.35
	1	4.2	115/230	174605.00	\$987	3	7.5 x 3.9 x 4.35
	1 1/2	6.0	115/230	174651.00	\$1245	5	7.5 x 3.9 x 5.45

Prices and specifications are subject to change without notice.

Single or Three Phase Input / 230 Volt Three Phase Output

Voltage	HP	Output Amps	Input Voltage■	Catalog Number	List Price (USD)	App. Wgt. (lbs)	Dimensions H x W x D (in.)
208-240 Volts	1/3	1.7	208/240	174606.00€	\$785	3	7.5 x 3.9 x 4.35
	1/2	2.4	208/240	174607.00	\$822	3	7.5 x 3.9 x 4.35
	1	4.2	208/240	174608.00	\$869	3	7.5 x 3.9 x 4.35
	1 1/2	6.0	208/240	174609.00	\$969	4	7.5 x 3.9 x 5.45
	2	7.0	208/240	174610.00	\$1053	4	7.5 x 3.9 x 5.45
	3	9.6	208/240	174611.00	\$1334	4	7.5 x 3.9 x 5.45

€ LEESON® model 174606.00 is single-phase input only

■ User programmable for 50Hz and other voltage inputs

Prices and specifications are subject to change without notice.

*The following trademarks or trade names are not owned or controlled by Regal Rexnord Corporation: CE is a trademark or tradename of European Commission; C-Tick is a trademark or trade name of Australian Communications Media Authority; GOST is a trademark or tradename of Euro-Asian Council for Standardization, Metrology and Certification; NEMA is believed to be the trademark of National Electrical Manufacturers Corporation; UL and CUL are trademarks or trade name of Underwriters Laboratories.

AC CONTROLS

SM2 Series Flux Vector Series AC Inverters

NEMA®* 1 IP31 Enclosure Protection

Three Phase Input / Output

Voltage	HP	Output Amps	Input Voltage [■]	Catalog Number	List Price (USD)	App. Wgt. (lbs)	Dimensions H x W x D (in.)
200-240 Volts	1 1/2	6.0	200/240	174609.00	\$969	4	7.5 x 3.9 x 5.45
	2	7.0	200/240	174610.00	\$1,053	4	7.5 x 3.9 x 5.45
	3	9.6	200/240	174611.00	\$1,334	4	7.5 x 3.9 x 5.45
	5	16.5	200/240	174615.00	\$1,494	4	7.5 x 3.9 x 5.8
	7 1/2	23.0	200/240	174616.00	\$1,994	7	9.83 x 5.12 x 6.3
	10	29.0	200/240	174617.00	\$2,463	7	9.83 x 5.12 x 6.3
	15	42.0	200/240	174618.00	\$3,830	20	12.33 x 6.88 x 8.08
	20	54.0	200/240	174619.00	\$4,708	20	12.33 x 6.88 x 8.08
400-480 Volts	1/2	1.1	400/480	174620.00	\$950	3	7.5 x 3.9 x 4.35
	1	2.1	400/480	174621.00	\$1,021	3	7.5 x 3.9 x 4.35
	1 1/2	3.0	400/480	174622.00	\$1,107	4	7.5 x 3.9 x 5.45
	2	3.5	400/480	174623.00	\$1,181	4	7.5 x 3.9 x 5.45
	3	4.8	400/480	174624.00	\$1,391	4	7.5 x 3.9 x 5.45
	5	8.2	400/480	174625.00	\$1,572	4	7.5 x 3.9 x 5.8
	7 1/2	11.0	400/480	174626.00	\$1,991	7	9.83 x 5.12 x 6.3
	10	14.0	400/480	174627.00	\$2,460	7	9.83 x 5.12 x 6.3
	15	21.0	400/480	174628.00	\$3,841	20	12.33 x 6.88 x 8.08
	20	27.0	400/480	174629.00	\$4,722	20	12.33 x 6.88 x 8.08
	25	35.0	400/480	174630.00	\$5,858	20	12.33 x 6.88 x 8.08
	30	45.0	400/480	174991.00	\$6,955	14	12.5x6.92x8.09
	40	59.0	400/480	174992.00	\$7,732	24	14.19x8.72x10.07
	50	74.0	400/480	174710.00	\$10,621	31	17.19x8.72x10.07
60	87.0	400/480	174711.00	\$12,924	35	20.19x8.72x10.07	
480-590 Volts	1	1.7	480/590	174631.00	\$1,176	3	7.5 x 3.9 x 4.35
	2	2.7	480/590	174632.00	\$1,311	4	7.5 x 3.9 x 5.45
	3	3.9	480/590	174633.00	\$1,514	4	7.5 x 3.9 x 5.45
	5	6.1	480/590	174634.00	\$1,713	4	7.5 x 3.9 x 5.8
	7 1/2	9.0	480/590	174635.00	\$2,138	7	9.83 x 5.12 x 6.3
	10	11.0	480/590	174636.00	\$2,636	7	9.83 x 5.12 x 6.3
	15	17.0	480/590	174637.00	\$4,232	20	12.33 x 6.88 x 8.08
	20	22.0	480/590	174638.00	\$5,449	20	12.33 x 6.88 x 8.08
	25	27.0	480/590	174639.00	\$6,309	20	12.33 x 6.88 x 8.08

■ User programmable for 50Hz and other voltage inputs
 Prices and specifications are subject to change without notice.

*NEMA is believed to be the trademark of National Electrical Manufacturers Corporation, and is not owned or controlled by Regal Rexnord Corporation.

AC CONTROLS

SM4 Series Flux Vector Series AC Inverters

NEMA® 4 IP65 Enclosure Protection



General Specifications:

- Indoor use only inverter that is designed to be used with vector duty motors
- Typical applications would include: packaging machinery, food processing, conveying systems, machinery and HVAC systems
- Enclosure: NEMA 4, IP65, -10 to 55°C, derate per °C above 40°C

Single Phase Input / Three Phase Output

(Use with three phase 230V motor)

Voltage	HP	Output Amps	Input Voltage	Catalog Number	List Price (USD)	App. Wgt. (lbs)	Dimensions H x W x D (in.)
115/230 Volts	1/2	2,4	115/230	174652.00	\$1,142	4	8.0 x 6.28 x 4.47
	1/2	2,4	115/230	174654.00 ◊	\$1,599	4	8.0 x 6.28 x 4.47
	1	4,2	115/230	174653.00	\$1,303	4	8.0 x 6.28 x 4.47
	1,5	6,0	115/230	174654.00	\$1,586	4	8.0 x 6.28 x 4.47

■ User programmable for 50Hz and other voltage inputs

◊ With integral disconnect switch

Prices and specifications are subject to change without notice.

Single or Three Phase Input / Three Phase Output

(Use with three phase 230V motor)

Voltage	HP	Output Amps	Input Voltage	Catalog Number	List Price (USD)	App. Wgt. (lbs)	Dimensions H x W x D (in.)
208-240 Volts	1/2	2,4	208-240	174655.00	\$1,028	4	8.0 x 6.28 x 4.47
	1	4,2	208-240	174656.00	\$1,102	4	8.0 x 6.28 x 4.47
	1 1/2	6,0	208-240	174657.00	\$1,288	6	8.0 x 6.28 x 6.31
	2	7,0	208-240	174658.00	\$1,397	6	8.0 x 6.28 x 6.31
	3	9,6	208-240	174659.00	\$1,671	7	8.0 x 7.12 x 6.77

■ User programmable for 50Hz and other voltage inputs

Prices and specifications are subject to change without notice.

Three Phase Input / Three Phase Output

Voltage	HP	Output Amps	Input Voltage	Catalog Number	List Price (USD)	App. Wgt. (lbs)	Dimensions H x W x D (in.)	Footnotes
208-240 Volts	5	16,5	208-240	174660.00	\$2,077	12	10.0 x 8.96 x 8.0	
	7 1/2	23,0	208-240	174661.00	\$2,793	11	10.0 x 8.04 x 8.0	FN
	10	29,0	208-240	174662.00	\$3,527	11	10.0 x 8.04 x 8.0	FN
	15	42,0	208-240	174699.00	\$4,971	25	14.5 x 9.42 x 9.45	FN
	20	54,0	208-240	174700.00	\$6,777	26	14.5 x 9.42 x 9.45	FN
400-480 Volts	1/2	1,5	400-480	174671.00	\$1,232	4	8.0 x 6.28 x 4.47	
	1/2	1,5	400-480	174542.00	\$1,667	4	8.0 x 6.28 x 4.47	FN, DC
	1	2,1	400-480	174672.00	\$1,326	4	8.0 x 6.28 x 4.47	
	1 1/2	3,0	400-480	174673.00	\$1,433	6	8.0 x 6.28 x 6.31	
	2	3,5	400-480	174674.00	\$1,562	6	8.0 x 6.28 x 6.31	
	3	4,8	400-480	174675.00	\$1,781	6	8.0 x 6.28 x 6.31	
	5	8,2	400-480	174676.00	\$2,207	12	10.0 x 8.96 x 8.0	
	7 1/2	11,0	400-480	174677.00	\$2,780	12	10.0 x 8.96 x 8.0	
	10	14,0	400-480	174678.00	\$3,323	11	10.0 x 8.04 x 8.0	FN
	10	14,0	400-480	174546.00	\$3,999	11	10.0 x 8.04 x 8.0	FN, DC
	15	21,0	400-480	174701.00	\$4,797	25	14.5 x 9.42 x 9.45	FN
	15	21,0	400-480	174544.00	\$5,679	25	14.5 x 9.42 x 9.45	FN, DC
	20	27,0	400-480	174702.00	\$6,424	26	14.5 x 9.42 x 9.45	FN
	25	34,0	400-480	174703.00	\$8,040	26	14.5 x 9.42 x 9.45	FN
30	40,0	400-480	174704.00	\$9,262	31	18.5 x 9.42 x 9.45	FN	
480-590 Volts	1	1,7	480-590	174663.00	\$1,433	4	8.0 x 6.28 x 4.47	
	2	2,7	480-590	174664.00	\$1,695	6	8.0 x 6.28 x 6.31	
	3	3,9	480-590	174665.00	\$1,962	6	8.0 x 6.28 x 6.31	
	5	6,1	480-590	174666.00	\$2,423	12	10.0 x 8.96 x 8.0	
	7 1/2	9,0	480-590	174667.00	\$3,068	12	10.0 x 8.96 x 8.0	
	10	11,0	480-590	174668.00	\$3,657	11	10.0 x 8.04 x 8.0	FN

■ User programmable for 50Hz and other voltage inputs

FN = Fan cooled - other controls are convection cooled

DC = With integral disconnect switch

Prices and specifications are subject to change without notice.

*NEMA is believed to be the trademark of National Electrical Manufacturers Corporation, and is not owned or controlled by Regal Rexnord Corporation.

AC CONTROLS

Platinum™ VSD Series

IP20 Enclosure Protection

General Specifications:

- New state of the art inverter designs
- Space saving design: 2.36 in. (60 mm) wide, 5.12 in. (130 mm) deep, also zero-clearance mounting
- RoHS2-Compliance
- Fulfills IE2 according to new EN 50598-2
- Out of the box commissioning
- Easy commissioning with memory module
- Improved usability for easy commissioning
- Parameterization with USB module without external power supply
- Innovative interface options enable set-up times faster than ever before
- The wide-ranging modular system enables various product configurations depending on machine requirements
- Spring loaded control terminals (fixed)
- More functionalities for advanced application
- Fieldbus - CANopen/Modbus (optional)
- VFC Eco mode for more energy savings
- The Platinum e™ VSD is recommended in applications for pumps and fans, conveyors, formers, winders and machine tools

Features: Three set-up methods

- Keypad - If you only need to set up a few parameters, such as acceleration time, this can be done quickly from the keypad
- Smart Keypad for use with an Android®* App. Enables adjustment to a simple application such as a conveyor
- Easy Starter - For use if the function is needing a potentiometer or control, for positioning application needs to be set



Keypad



WLAN module



USB module

For Use With Three Phase Induction or PMAC Motors

Fieldbus	Input Voltage	HP	Output Amps	Catalog Number	List Price (USD)	App. Wgt. (lbs)	Dimensions H x W x D (in)
N/A	230/240 Volts - 1 or 3 Phase	1/3	1.7	176105.00	\$476	2	6.1 x 2.36 x 5.12
		1/2	2.4	176106.00	\$557	2	6.1 x 2.36 x 5.12
		3/4	3.2	176107.00	\$620	2	7.09 x 2.36 x 5.12
		1	4.2	176108.00	\$660	2	7.09 x 2.36 x 5.12
		1 1/2	6.0	176109.00	\$766	3	9.84 x 2.36 x 5.12
		2	7.0	176110.00	\$887	3	9.84 x 2.36 x 5.12
		3	9.6	176111.00	\$1,011	3	9.84 x 2.36 x 5.12
CANopen/ Modbus	230/240 Volts - 1 or 3 Phase	1/3	1.7	176112.00	\$597	2	6.1 x 2.36 x 5.12
		1/2	2.4	176113.00	\$681	2	6.1 x 2.36 x 5.12
		3/4	3.2	176114.00	\$743	2	7.09 x 2.36 x 5.12
		1	4.2	176115.00	\$785	2	7.09 x 2.36 x 5.12
		1 1/2	6.0	176116.00	\$887	3	9.84 x 2.36 x 5.12
		2	7.0	176117.00	\$1,011	3	9.84 x 2.36 x 5.12
		3	9.6	176118.00	\$1,135	3	9.84 x 2.36 x 5.12
N/A	400/480 Volts - 3 Phase	1/2	1.3	176120.00	\$802	2	6.1 x 2.36 x 5.12
		3/4	1.8	176121.00	\$1,030	2	7.09 x 2.36 x 5.12
		1	2.4	176122.00	\$865	2	7.09 x 2.36 x 5.12
		1 1/2	3.2	176123.00	\$949	3	9.84 x 2.36 x 5.12
		2	3.9	176124.00	\$1025	3	9.84 x 2.36 x 5.12
		3	5.6	176125.00	\$1,135	3	9.84 x 2.36 x 5.12
		CANopen/ Modbus	400/480 Volts - 3 Phase	1/2	1.3	176127.00	\$1,117
3/4	1.8			176128.00	\$1,155	2	7.09 x 2.36 x 5.12
1	2.4			176129.00	\$1,199	2	7.09 x 2.36 x 5.12
1 1/2	3.2			176130.00	\$1,257	3	9.84 x 2.36 x 5.12
2	3.9			176131.00	\$1,344	3	9.84 x 2.36 x 5.12
3	5.6			176132.00	\$1465	3	9.84 x 2.36 x 5.12

Prices and specifications are subject to change without notice.

*Android is a trademark of Google LLC and is not owned or controlled by Regal Rexnord Corporation.

Accessories	Catalog Number	List Price (USD)
Keypad Interface	174356.00	\$371
USB Interface	174357.00	\$343
WiFi Direct Interface Module	174358.00	\$343
Blank Interface Cover (4-pack)	174359.00	\$286

Prices and specifications are subject to change without notice.

AC CONTROLS

Platinum™ VSD - Plus Series

IP20 Enclosure Protection

General Specifications:

- State of the art inverter designs
- Space saving design: 2.36 in. (60 mm) wide, 5.12 in. (130 mm) deep, also zero-clearance mounting
- RoHS2-Compliance
- Fulfills IE2 according to new EN 50598-2
- Out of the box commissioning
- Easy commissioning with memory module
- Improved usability for easy commissioning
- Parameterization with USB module without external power supply
- The wide-ranging modular system enables various product configurations depending on machine requirements
- The wide-ranging modular system enables various product configurations depending on machine requirements
- The Platinum e™ VSD is recommended in applications for pumps and fans, conveyors, formers, winders and machine tools
- Pluggable control terminal
- More functionalities for advanced application
- Fieldbus - EtherCAT, EtherNet/IP, Profinet, CANopen, Modbus, Profibus, (options)
- VFC Eco mode for more energy savings
- Innovative interface options enable set-up times faster than ever before



Keypad



WLAN module



USB module

Features: Three set-up methods

- Keypad - If you only need to set up a few parameters, such as acceleration time, this can be done quickly from the keypad
- Smart Keypad for use with an Android®* App. Enables adjustment to a simple application such a conveyor
- Easy Starter - For use if the function is needing a potentiometer or control for a positioning application needs to be set

For Use With Three Phase Induction or PMAC Motors - Power Units

Input Voltage	HP	Output Amps	Catalog Number	List Price (USD)	App Wgt. (lbs)	Dimensions H x W x D (in)
230/240 Volts - 1 or 3 Phase	1/3	1.7	176133.00	\$496	2	6.1 x 2.36 x 5.12
	1/2	2.4	176134.00	\$577	2	6.1 x 2.36 x 5.12
	3/4	3.2	176135.00	\$639	2	7.09 x 2.36 x 5.12
	1	4.2	176136.00	\$721	2	7.09 x 2.36 x 5.12
	1 1/2	6.0	176137.00	\$845	3	9.84 x 2.36 x 5.12
	2	7.0	176138.00	\$1,011	3	9.84 x 2.36 x 5.12
	3	9.6	176139.00	\$1,216	3	9.84 x 2.36 x 5.12
400/480 Volts - 3 Phase	1/2	1.3	176140.00	\$992	2	6.1 x 2.36 x 5.12
	3/4	1.8	176141.00	\$1,092	2	7.09 x 2.36 x 5.12
	1	2.4	176142.00	\$1,199	2	7.09 x 2.36 x 5.12
	1 1/2	3.2	176143.00	\$1,384	3	9.84 x 2.36 x 5.12
	2	3.9	176144.00	\$1,540	3	9.84 x 2.36 x 5.12
	3	5.6	176145.00	\$1,734	3	9.84 x 2.36 x 5.12
	5	9.5	176146.00	\$2,246	5	9.84 x 3.54 x 5.12
	7 1/2	13.0	176147.00	\$2,949	5	9.84 x 3.54 x 5.12
	10	16.5	176148.00	\$3,575	8	10.83 x 4.72 x 5.12
	15	23.5	176149.00	\$4,574	8	10.83 x 4.72 x 5.12
	20	32.0	176150.00	\$5,629	23	13.78 x 8.07 x 9.06
	25	40.0	176151.00	\$6,723	23	13.78 x 8.07 x 9.06
	30	47.0	176152.00	\$7,837	23	13.78 x 8.07 x 9.06

Prices and specifications are subject to change without notice.

*Android is a trademark of Google LLC and is not owned or controlled by Regal Rexnord Corporation.

Control Units

Type	Catalog Number	List Price (USD)
Standard I/O	174362.00	\$205
Application I/O	174363.00	\$331
CANopen - Standard I/O	174364.00	\$331
Modbus-RTU - Standard I/O	174365.00	\$331
Profibus-DP - Standard I/O	174366.00	\$413
EtherCat - Standard I/O	174367.00	\$534
Profinet - Standard I/O	174368.00	\$577
EtherNet/IP - Standard I/O	174369.00	\$534

Prices and specifications are subject to change without notice.

Accessories	Catalog Number	List Price (USD)
Keypad Interface	174356.00	\$371
USB Interface	174357.00	\$343
WiFi Direct Interface Module	174358.00	\$343
Blank Interface Cover (4-pack)	174359.00	\$286
Remote Keypad Kit	174370.00	\$355

Prices and specifications are subject to change without notice.

AC CONTROLS

AC Control Kits

Electronic Programming Unit

Electronic Programming Unit allows off-line set-up and replication of the drive's plug-in electronic programming module (shown at right). Excellent for multi-drive applications. Keypad input and alphanumeric display simplify programming. RS-232 serial port allows downloading of configuration files from personal computer.

Catalog Number	List Price (USD)	App. Wgt. (lbs)
EEPM1RA	\$1,373	2

Prices and specifications are subject to change without notice.



Contact your local sales office for product information

EPM Bulk Pack

Plug-in electronic programming modules (EPM). Allow off-line set-up and replication of program using Electronic Programming Unit. Set of 10.

Catalog Number	List Price (USD)	App. Wgt. (lbs)
174190.00	\$303	1

Prices and specifications are subject to change without notice.



Inverter Accessory Parts

Discriptor	Catalog Number	List Price (USD)
Micro Series Keypad	006707.01	\$95
Speed Pot (10k/5w pot, washers & nut)	006708.01	\$99

Prices and specifications are subject to change without notice.



DIN Rail - Mounting Kits

Steel plates and fasteners for mounting drives on standard 35mm DIN rails for panel building. Set of six. 174186 for "A" chassis drives. 174187 for "B" chassis drives. 174188 for "C" chassis drives. Refer to SM Plus and SM Series Dimension Tables for A, B & C listing information.

Catalog Number	List Price (USD)	App. Wgt. (lbs)
174186.00	\$281	3
174187.00	\$315	3
174188.00	\$376	3

Prices and specifications are subject to change without notice.



SM4 Speed Potentiometer

Potentiometer kit takes the place of the up/down buttons on the drive's keypad gives operators hands-on speed control over the inverter's speed range.

Use with Width (W) dim. of:	Catalog Number	List Price (USD)	App. Wgt. (lbs)
6.28 or 7.12	174693.00	\$381	2
8.04 or 8.96	174697.00	\$397	2

Prices and specifications are subject to change without notice.



Remote Keypad

Remote keypad kit includes eight-foot connecting cable and gasket. Mounted in proper enclosure, the keypad kit will provide up to NEMA® 4 protection.

Drive Type	Catalog Number	List Price	App. Wgt. (lbs)
SM2 Vector	174150.00	\$401	2

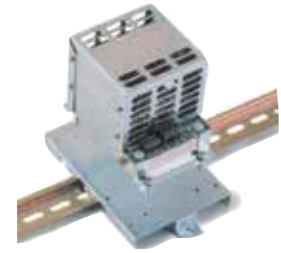
Prices and specifications are subject to change without notice.



*NEMA is believed to be the trademark of National Electrical Manufacturers Corporation, and is not owned or controlled by Regal Rexnord Corporation.

Accessories For The SM2 Flux Vector Series Drives

Dynamic Braking Components for the SM2 Vector Series Drives



Dynamic Braking Modules With Built-in Dynamic Braking Resistors⁽¹⁾

Dynamic braking components are available for the SM2 Vector Series drives as a separate dynamic braking module. 10 HP and lower modules have control electronics and the dynamic braking resistor in one convenient package. Larger units require a separate resistor. The modules can be panel or DIN rail mounted.

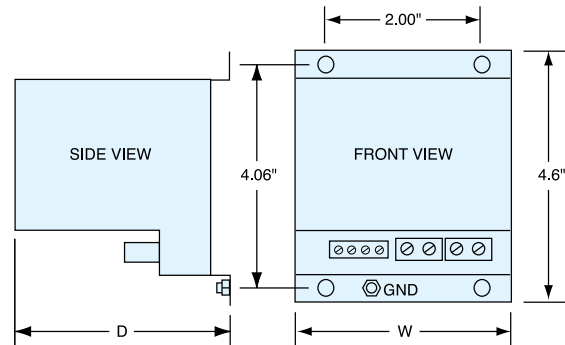
Drive HP	Motor Voltage Rating	Catalog Number	List Price (USD)	App. Wgt. (lbs)
1/3-1/2	208 - 230V	174157.00	\$494	2
	400 - 480V	174158.00	\$494	2
1 - 1 1/2	208 - 230V	174151.00	\$578	3
	400 - 480V	174152.00	\$578	3
	480 - 590V	174153.00	\$578	3
2 - 3	208 - 230V	174154.00	\$790	4
	400 - 480V	174155.00	\$790	4
	480 - 590V	174156.00	\$790	4
5	208 - 230v	174159.00	\$1,027	5
	400 - 480V	174160.00	\$1,027	5
	480 - 590V	174161.00	\$1,027	5
7 1/2	208 - 230V	174162.00	\$1,298	6
	400 - 480V	174163.00	\$1,298	6
	480 - 590V	174164.00	\$1,298	6
10	208 - 230V	174165.00	\$1,567	8
	400 - 480V	174166.00	\$1,567	8
	480 - 590V	174167.00	\$1,567	8

(1) Braking resistors are included with the module and not purchased separately. Prices and specifications are subject to change without notice.

Dynamic Braking Modules Without Resistors⁽²⁾

Drive HP	Motor Voltage Rating	Catalog Number	List Price (USD)	App. Wgt. (lbs)
15-20	208-230V	174417.00	\$684	10
15-30	400-480V	174418.00	\$684	10
15-25	480-590V	174419.00	\$684	10

(2) Dynamic braking resistors are purchased and mounted separately. Prices and specifications are subject to change without notice.



Dynamic Braking Resistors⁽³⁾

Drive HP	Motor Voltage Rating	Catalog Number	List Price (USD)	App. Wgt. (lbs)
15-20	208-230V	174144.00	\$751	1
	400-480V	174144.00	\$751	1
	480-590V	174149.00	\$770	1
25-30	400-480V	174145.00	\$1,268	1
	480-590V	174140.00	\$1,299	1
40	400-480V	174146.00	\$1,653	1
	480-590V	174141.00	\$1,653	1
50-60	400-480V	174147.00	\$1,910	1
	480-590V	174142.00	\$1,910	1

(3) Dynamic braking resistors are provided with mounting brackets. Prices and specifications are subject to change without notice.



**Industrial Solutions
Regal Rexnord**

100 East Randolph Street
Wausau, WI 54402-8003
Phone: 715-675-3359
Fax: 715-675-8026
regalrexnord.com

The proper selection and application of products and components, including assuring that the product is safe for its intended use, are the responsibility of the customer. To view our Application Considerations, please visit <https://www.regalrexnord.com/Application-Considerations>.

To view our Standard Terms and Conditions of Sale, please visit <https://www.regalrexnord.com/Terms-and-Conditions-of-Sale> (which may redirect to other website locations based on product family).

The following trademarks or trade names are not owned or controlled by Regal Rexnord Corporation: Android is a trademark of Google LLC; CE is a trademark or tradename of European Commission; C-Tick is a trademark or trade name of Australian Communications Media Authority; GOST is a trademark or tradename of Euro-Asian Council for Standardization, Metrology and Certification; NEMA is believed to be the trademark of National Electrical Manufacturers Corporation; UL and CUL are trademarks or trade name of Underwriters Laboratory.

"Regal Rexnord" is not indicative of legal entity.

Regal Rexnord, LEESON, FHP, Platinum e and Speedmaster are trademarks of Regal Rexnord Corporation or one of its affiliated companies.

©2022 Regal Rexnord Corporation, All Rights Reserved.

MCC22004E • Form L0071E



Sign up to stay updated with
our Industrial motors news
<http://eepurl.com/g8-fsz>

