

LOREN COOK

OEM Replacement

P/N 615057A

- 115 Volt
- 60HZ 4.6AMP
- 1/11 HP
- 1500RPM
- Thermally Protected
- 2 Speed

OEM replacement for Gemini GC/GN 620 & 640 Vent Fans

CROSS REFERENCE

Replaces 615057, A0416B2568, A0416B3807, 7108-7007, PACKARD 90620

P/N 615058A

- 115 Volt
- 60HZ 3.9AMP
- 1/4 HP
- 1625RPM
- 8 MFD/330VAC
- Thermally Protected
- 2 Speed

OEM replacement for Gemini GC/GN 720 & 740 Vent Fans

CROSS REFERENCE

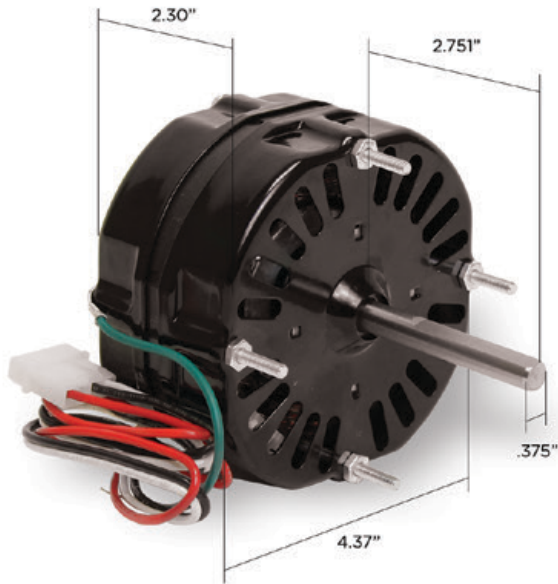
Replaces 615058, A0812B2566, A0812B3837, 7184-0142, PACKARD 90720, D0816B3884

Precision Electric Motor Sales

Phone | 800.234.5687

Fax | 888.234.5687

www.pemsmotors.com



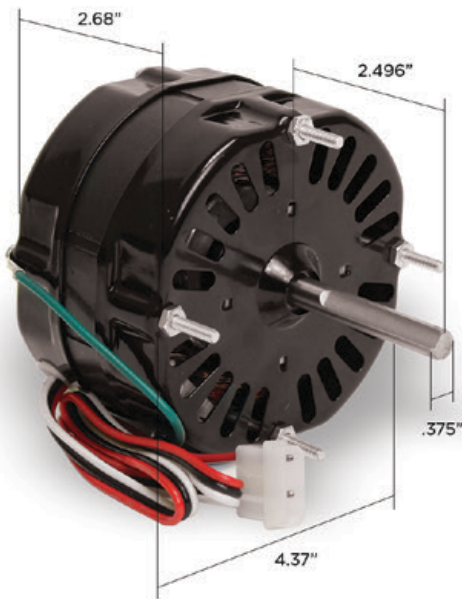
P/N 615053A

- 115 Volt
- 60HZ, .75AMP
- 1/114 HP
- 1500RPM
- 2 Speed
- Thermally Protected

OEM replacement for Gemini GC/GN 220 & 240 Vent Fans

CROSS REFERENCE

Replaces 615053, A0410B2562, A0410B3808, 7108-7006, PACKARD 90220



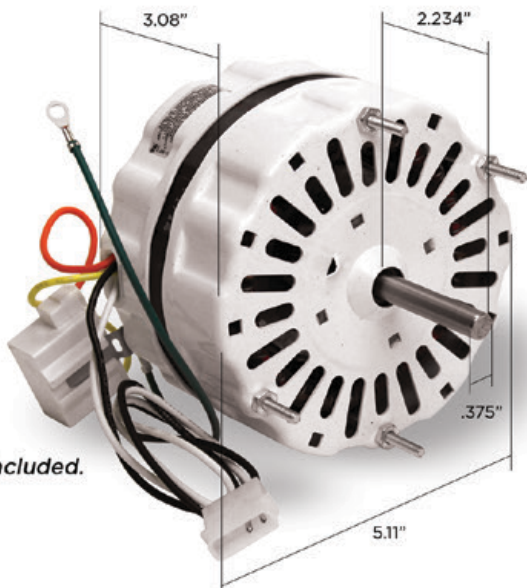
P/N 615054A

- 115 Volt
- 60HZ, 2.2AMP
- 1/16 HP
- 1550RPM
- 2 Speed
- Thermally Protected

OEM replacement for Gemini GC/GN 320 & 340 Vent Fans

CROSS REFERENCE

Replaces 615054, F0416B2563, 7108-7005, PACKARD 90320



Capacitor Included.

P/N 615056A

- 115 Volt
- 60HZ, 1.5AMP
- 1/16 HP
- 1200RPM
- 8MFD/250VAC
- Thermally Protected

OEM replacement for Gemini GC/GN 520 Vent Fans

CROSS REFERENCE

Replaces 615056, A0812B2565, A0812B3806, 7184-0143, PACKARD 90520