



MULTIFIT[®] MOTORS

TRUCK STOCK WITH MULTI-MOUNTING SYSTEM[™]

REGAL[®]

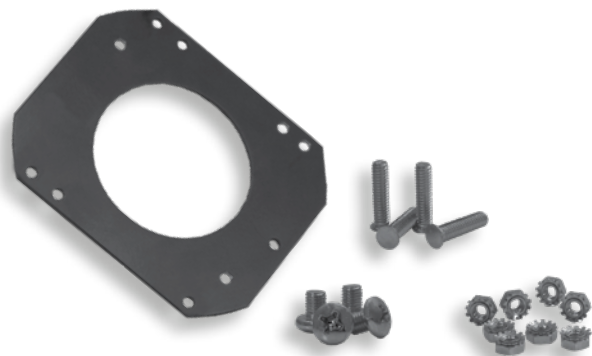
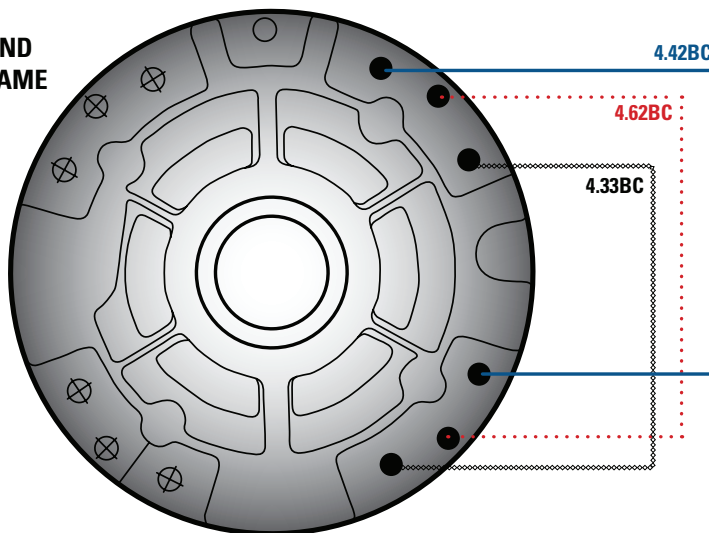
MULTIFIT® MULTI-MOUNTING SYSTEM™

- Six MultiFit 3-in-1™ multi-horsepower motor models, 1625 RPM and 1075 RPM, replace hundreds of 1/4, 1/5, 1/6, 1/8, 1/10 or 1/12 horsepower 42 frame (5" dia.) condenser fan applications – with one simple connection
- MultiFit motors replace motors with a 4.33, 4.42 and 4.62 inch mounting bolt circle (BC)

FOR QUICK AND EASY INSTALLATION, EACH MULTIFIT MOTOR IS SUPPLIED WITH:

- Durable collar studs with 5/8" extension, 8-32 threads
- Extra mounting nuts with locking feature
- Easy-to-install plugs
- Mounting instructions with easy-to-read diagrams

LEAD END
ENDFRAME



Stock No. 2118

MULTIFIT® ADAPTER PLATE

Adapts to a 48-Frame 5.15BC
Or 42-Frame 3-Point 4.42BC
(Available Separately)

MULTIFIT MULTI-MOUNTING SYSTEM REPLACES:

4.42BC

Century®
Nidec® 42-Frame (5" dia.)



4.62BC

Genteq® 42-Frame (5" dia.)
Fasco® 42-Frame (5" dia.)
Century®



4.33BC

Nidec® Clam-Shell
Genteq® Cap-Can



MULTIFIT[®] MOTORS

BUILT TO BE YOUR TRUCK STOCK MOTOR

- Multi-mounting capability, replaces multiple styles of OEM motors, all angle mount
- Simple three wire connection (L1, L2 & Capacitor), similar to original motor
- One motor replaces (3) horsepower ratings with the same electrical connection

WHAT IS THE VALUE OF HAVING THE PART YOU NEED ON THE TRUCK?

- Reduce unnecessary trips to the distributor and long drive times to get a replacement
- Eliminate temporary motor substitutions
- Get the job done the same day with the right part
- Reduce truck stocking costs
- Get more jobs done in the same day

BUILT TO LAST

- Now available in 70°C design
- Double sealed ball bearings
- Water resistant rubber grommet at lead opening
- Water resistant reversing plug



TM **SERVICEMAN'S BEST FRIENDTM**

The versatility, endurance and efficiency of the MultiFit[®] motor make it an ideal Truck Stock Motor.

MULTIFIT[®] MOTOR CROSS REFERENCE

Mfg Part No.	Stock #
02243	9722/9722F
02244	9723/9723F
02245	9723/9723F
02246	9723/9723F
02247	9723/9723F
02248	9722/9722F
02249	9722/9722F
02250	9723/9723F
02251	9722/9722F
024-31952-001	9723/9723F
100483-02	9723/9723F
100483-04	9722/9722F
17416	9722/9722F
17465	9722/9722F
17468	9722/9722F
17475	9723/9723F
17483	9722/9722F
17484	9722/9722F
1901	9723/9723F
2243/G2243	9722/9722F
2244/G2244	9723/9723F
2245/G2245	9723/9723F
2246/G2246	9723/9723F
2247/G2247	9723/9723F
2248/G2248	9722/9722F
2249/G2249	9722/9722F
2250	9723/9723F
2251	9722/9722F
31L1901	9723/9723F
48HXCLW1562	9723/9723F
5KCP29BCA010RS	9724/9724F
5KCP29BCA056	9722/9722F
5KCP29BCA056AS	9722/9722F
5KCP29CCA012	9722/9722F
5KCP29CCA012S	9722/9722F
5KCP29DCA054	9722/9722F
5KCP29DCA054BS	9722/9722F
5KCP29DCA054	9722/9722F
5KCP29DC104S	9722/9722F

Mfg Part No.	Stock #
5KCP29DCA161	9722/9722F
5KCP29DCA161S	9722/9722F
5KCP29DCA323	9722/9722F
5KCP29DCA323S	9722/9722F
5KCP29DCA329	9722/9722F
5KCP29DCA329S	9722/9722F
5KCP29ECA033	9723/9723F
5KCP29ECA033S	9723/9723F
5KCP29ECA081	9722/9722F
5KCP29ECA081CS	9722/9722F
5KCP29ECA091	9722/9722F
5KCP29ECA091AS	9722/9722F
5KCP29ECA321	9723/9723F
5KCP29ECA321S	9723/9723F
5KCP29ECA328	9722/9722F
5KCP29ECA328S	9722/9722F
5KCP29FCA174	9723/9723F
5KCP29FCA174AS	9723/9723F
5KCP29FCA265	9723/9723F
5KCP29FCA265AS	9723/9723F
5KCP29FCA322	9722/9722F
5KCP29FCA322S	9722/9722F
5KCP29FCA340S	9722/9722F
5KCP29HCA055	9723/9723F
5KCP29HCA055BS	9723/9723F
5KCP29HCA055CS	9723/9723F
5KCP29HCA092	9723/9723F
5KCP29HCA092BS	9723/9723F
5KCP29HCA094	9723/9723F
5KCP29HCA094CS	9723/9723F
5KCP29HCA162	9723/9723F
5KCP29HCA162AS	9723/9723F
5KCP29HCA326	9723/9723F
5KCP29HCA326S	9723/9723F
5KCP29JCA053	9723/9723F
5KCP29JCA053BS	9723/9723F
5KCP29JCA107	9723/9723F
5KCP29JCA107S	9723/9723F
5KCP29JCA120	9723/9723F

Mfg Part No.	Stock #
5KCP29JCA120S	9723/9723F
5KCP29JCA163	9723/9723F
5KCP29JCA163AS	9723/9723F
5KCP29JCA324S	9723/9723F
5KCP29JCA325	9723/9723F
5KCP29JCA325S	9723/9723F
5KCP29JCA327	9723/9723F
5KCP29JCA327S	9723/9723F
5KCP29JCA329S	9723/9723F
5KCP29JGA324	9723/9723F
B13400252	9723/9723F
CPND151060P01	9723/9723F
CPND151268P01	9724/9724F
D1071	9723/9723F
D151060P01	9723/9723F
D151316P01	9722/9722F
DE3G104	9723/9723F
DE3G125	9723/9723F
DE3G128	9723/9723F
DE3G825	9723/9723F
DE3G828	9723/9723F
F42D29A50	9722/9722F
F42D70A50	9722/9722F
F42D78A50	9722/9722F
F42D89A50	9723/9723F
F42D90A50	9723/9723F
F42E05A50	9722/9722F
F42E29A50	9722/9722F
F42F60B85	9723/9723F
GB13400-252	9723/9723F
HC37GE232	9723/9723F
HQ1052662EM	9723/9723F
HQ1052662UN	9723/9723F
HQ1068865UN	9723/9723F
HQ1080613UN	9723/9723F
K48HXEMG3494	9723/9723F
K48HXFAS3869	9723/9723F
K48HXGCK4210	9723/9723F
K48HXTHG3866	9723/9723F
K48HXTML4007	9723/9723F



MULTIFIT[®] MOTOR SPECIFICATIONS

FEATURES

- Multi-mounting system
- Single speed multi-horsepower replacement motor uses one simple connection
- Energy-efficient PSC design
- Easy-to-read connection diagram attached to white lead wire
- Water-resistant reversing plug
- Double sealed ball bearings for dependable long life
- Shaft slinger keeps water and dirt out of motor
- Water-resistant rubber grommet at lead opening
- Lead length 36"
- 60 Hertz
- Totally enclosed
- Continuous duty, air over
- All-angle mount
- UL and CSA recognized

REPLACES HUNDREDS OF 1/4-1/12 HP APPLICATIONS 3-IN-1[™] DESIGN

APPROXIMATE SPEEDS AND AMPS IN APPLICATION

Class B Insulation • 60°C (140°F) Max Ambient

STOCK NUMBER 9722			STOCK NUMBER 9723			STOCK NUMBER 9724		
HP	Approximate RPM	Approximate Amps	HP	Approximate RPM	Approximate Amps	HP	Approximate RPM	Approximate Amps
1/8	1075	0.9	1/4	1075	2.0	1/4	1625	1.6
1/10	1135	0.6	1/5	1145	1.2	1/5	1715	1.0
1/12	1155	0.5	1/6	1165	1.0	1/6	1759	0.7



Stock Number	Replaces HP	Volts	Amps	RPM	Speeds	Frame Size	Rotation	Capacitor	Shell Length	Shaft	Wt.
9722*	1/8, 1/10, 1/12	208-230	0.9	1075	1	42	Reversible	5MFD/370V	4.0"	1/2" x 3"	9.8
9723*	1/4, 1/5, 1/6	208-230	2.0	1075	1	42	Reversible	7.5MFD/370V	4.5"	1/2" x 3"	12.0
9724*	1/4, 1/5, 1/6	208-230	1.6	1625	1	42	Reversible	5MFD/370V	4.5"	1/2" x 3"	12.0

*Ball Bearing

Class F Insulation • 70°C (158°F) Max Ambient

NEW

STOCK NUMBER 9722F			STOCK NUMBER 9723F			STOCK NUMBER 9724F		
HP	Approximate RPM	Approximate Amps	HP	Approximate RPM	Approximate Amps	HP	Approximate RPM	Approximate Amps
1/8	1075	0.8	1/4	1075	2.2	1/4	1625	1.4
1/10	1100	0.7	1/5	1100	1.9	1/5	1650	1.3
1/12	1143	0.5	1/6	1146	1.4	1/6	1720	0.9



Stock Number	Replaces HP	Volts	Amps	RPM	Speeds	Frame Size	Rotation	Capacitor	Shell Length	Shaft	Wt.
9722F*	1/8, 1/10, 1/12	208-230	0.8	1075	1	42	Reversible	5MFD/370 VAC	4.0"	1/2" x 3"	10.0
9723F*	1/4, 1/5, 1/6	208-230	2.2	1075	1	42	Reversible	7.5MFD/370 VAC	5.0"	1/2" x 3"	13.6
9724F*	1/4, 1/5, 1/6	208-230	1.4	1625	1	42	Reversible	5MFD/370 VAC	4.5"	1/2" x 3"	11.0

*Ball Bearing



Regal Beloit America, Inc.

1325 Heil Quaker Blvd.

LaVergne, TN 37086

Customer Service: 800-672-6495

Fax: 800-468-2062

www.regalbeloit.com

APPLICATION CONSIDERATIONS

The proper selection and application of products and components, including paying full attention to the subject of product safety in the application, is the responsibility of the customer. Operating and performance requirements and potential associated issues will vary appreciably depending upon the use and application of such products and components. The scope of the technical and application information included in this publication is necessarily limited. Unusual operating environments and conditions, maintenance requirements, installation configurations, and other factors can materially affect the application and operating results of the products and components and the customer should carefully review its requirements. Any technical advice or reviews furnished by Regal Beloit America, Inc. or its affiliates ("Regal") with respect to the use of products and components is given in good faith and without charge. However, Regal assumes no obligation or liability for the advice given, or results obtained, all such advice and reviews being given and accepted are at the customer's risk.

For a copy of our Standard Terms and Conditions of Sale, Limited Warranty, and Limitations of Liability and Remedy, please contact Customer Service at 1-800-672-6495 or the website address: <http://www.regalbeloit.com> (link to "Terms and Conditions of Sale" at the bottom of the page). These terms and conditions of sale, disclaimers and limitations of liability apply to any person who may buy, acquire or use a Regal Beloit America Inc. product referred to herein, including any person who buys from a licensed distributor of these branded products.

Nidec is believed to be the trademark and/or trade name of Nidec Corporation and is not owned or controlled by Regal Beloit Corporation.

Regal, Century, Fasco, Genteq, MultiFit, Multi-Mounting System, 3-in-1 and Serviceman's Best Friend are trademarks of Regal Beloit Corporation or one of its affiliated companies.

©2017 Regal Beloit Corporation, All Rights Reserved. MCB17021E • Form# C6027E

The Regal logo, consisting of the word "REGAL" in a bold, white, sans-serif font, set against a dark gray, trapezoidal background. A registered trademark symbol (®) is located to the upper right of the logo.

REGAL®