



# VACUUM

## MOTOR CATALOG 300

with extensive cross



referencing • page 8

- ANIMAL GROOMING VACUUMS
- CANISTER VACUUMS • CAR WASH VACUUMS • CARPET EXTRACTORS • CENTRAL VACUUMS
- DOCK LIFTS • FOGGERS • HAND DRYERS • HVLP PAINT SPRAYERS • SPAS
- SPRAY TAN • UPRIGHT VACUUMS
- BACK PACK • BOAT LIFTS

[www.PEMSMOTORS.com](http://www.PEMSMOTORS.com)

## 24 & 36 VOLT



Q6600-148A-MPL



Q6600-154T-MPL



Q6600-147A-MPL



Q6600-147A-MPL-1.5



Q6600-153T-MPL



Q6600-149A-MPL

REPLACES AMETEK	REPLACES DAYTON	STAGE	CFM @ 2" ORFICE	SEALED H <sub>2</sub> O VACUUM	MAX AIR WATTS	MAX AMPS	OVERALL HEIGHT	TYPE <i>(see pg 11)</i>
<b>Q6600-148A-MPL • 24 volts</b>								
116157-00 119436-13 119891-00	4M933	2	67	48	102	16.1	7.09	BPT

<b>Q6600-154T-MPL • 24 volts</b>								
116155-00 119516-00 116555-00	2M189	2	71	47	108	17	6.68	BPP

<b>Q6600-147A-MPL • 24 volts</b>								
116515-13 119433-13	4M919 3GXF3	3	71	71	156	21.5	7.88	BPT

<b>Q6600-147A-MPL-1.5 • 24 volts</b>								
116515-29		3	71	71	156	21.5	7.88	BPT

NOTE: Same as part number Q6600-147A-MPL with the addition of kit 0103-001 inlet tube adapter for 1.5" and 1.88"

<b>Q6600-153T-MPL • 24 volts</b>								
116514-13 119517-00 116598-13 119438-00 116598-00	4M943	3	71	71	157	21.5	7.62	BPP

<b>Q6600-149A-MPL • 36 volts</b>								
116158-01		2	71	51	118	10.9	7.09	BPT



Q6600-149A-MPL-1.8



Q6600-155T-MPL



Q6600-150T-MPL



Q6600-102A-MPL



Q6600-102-MPL-1.5



Q6600-102-MPL-1.8

REPLACES AMETEK DAYTON	STAGE	CFM @ 2" ORFICE	SEALED H <sub>2</sub> O VACUUM	MAX AIR WATTS	MAX AMPS	OVERALL HEIGHT	TYPE (see pg 11)
---------------------------	-------	--------------------	-----------------------------------	------------------	-------------	-------------------	---------------------

**Q6600-149A-MPL-1.8 • 36 volts**

116158-00		2	71	51	118	10.9	8.16	BPT
-----------	--	---	----	----	-----	------	------	-----

NOTE: Same as part number Q6600-149A-MP with the addition of kit 0103-001 Inlet tube adapter for 1.5" and 1.88"

**Q6600-155T-MPL • 36 volts**

116156-00 116556-00	2M190	2	76	51	133	14	6.68	BPP
------------------------	-------	---	----	----	-----	----	------	-----

**Q6600-150T-MPL • 36 volts**

116512-13 119431-00 119437-00	4M942	3	78	85	219	18	7.62	BPP
-------------------------------------	-------	---	----	----	-----	----	------	-----

**Q6600-102A-MPL • 36 volts**

116513-13 119432-00	4M918	3	79	85	220	17.9	7.88	BPT
------------------------	-------	---	----	----	-----	------	------	-----

**Q6600-102-MPL-1.5 • 36 volts**

116513-29		3	79	85	220	17.9	7.88	BPT
-----------	--	---	----	----	-----	------	------	-----

NOTE: Same as part number Q6600-102A-MPL with the addition of kit 0103-001 Inlet tube adapter for 1.5" and 1.88"

**Q6600-102-MPL-1.8 • 36 volts**

116513-32	4M920	3	79	85	220	17.9	7.88	BPT
-----------	-------	---	----	----	-----	------	------	-----

NOTE: Same as part number Q6600-102A-MPL with the addition of kit 0103-001 Inlet tube adapter for 1.5" and 1.88"

# 120 VOLT



Q6600-063A-01



QM6600-135T



Q6600-020T



Q6600-033T-MP



Q6600-004T



Q6600-027T-MP

REPLACES AMETEK	REPLACES DAYTON	STAGE	CFM @ 2" ORFICE	SEALED H <sub>2</sub> O VACUUM	MAX AIR WATTS	MAX AMPS	OVERALL HEIGHT	TYPE (see pg 11)
--------------------	--------------------	-------	--------------------	-----------------------------------	------------------	-------------	-------------------	---------------------

Q6600-063A-01 • 120 volts								
116325-00	2M428	1	95	50	188	7.7	5.2	BPP

QM6600-135T • 120 volts								
116757-00	2M266	2	94	90	286	8.1	6.45	BPP
116025-13								
116758-13	2M267							
119413-00	3GXE8							

Q6600-020T • 120 volts								
116336-00	2M429	2	96	84	280	7.5	6.44	BPP
119414-00	3GXE9							
116212-00	4M954							
131500-00								

Q6600-033T-MP • 120 volts								
116392-13	2M430	2	98	89	290	8.1	6.72	BPT
116207-00	2M201							
116210-50	4M927							
116114-00								
131300-13								

Q6600-004T • 120 volts								
116472-13	4M937	2	112	107	404	11.6	7.09	BPT
116407-13	4M983							
116474-00								
117073-00								
117100-00								

QM6600-027T-MP • 120 volts								
116471-00	4M953	2	116	115	473	12.1	6.83	BPP
116471-13	2M433							



Q6600-052A-MP



QM6600-151T-MP



Q6600-166A-MP



Q6600-166A-MP-1.5



Q6600-066A-MP

REPLACES AMETEK DAYTON	STAGE	CFM @ 2" ORFICE	SEALED H <sub>2</sub> O VACUUM	MAX AIR WATTS	MAX AMPS	OVERALL HEIGHT	TYPE (see pg 11)
<b>Q6600-052A-MP • 120 volts</b>							
119633-07 119708-00 119913-00 119956-00 119992-00	2	130	132	634	14.3	7.59	BPT

<b>QM6600-151T-MP • 120 volts</b>								
116764-13 116566-00 116566-13 116764-00 117939-00	4M914 4M945	3	96	131	427	10.7	7.84	BPP

<b>Q6600-166A-MP • 120 volts</b>								
116565-13	4M923	3	99	126	429	12.2	8.03	BPT

<b>Q6600-166A-MP-1.5 • 120 volts</b>								
116565-29	4M924	3	99	126	429	12.2	8.03	BPT

NOTE: Same as part number Q6600-166A-MPL with the addition of kit 0103-001 Inlet tube adapter for 1.5" and 1.88"

<b>Q6600-066A-MP • 120 volts</b>								
116765-13 131410-13	4M921	3	106	140	512	13.3	8.03	BPT

## 220-240 VOLT



Q6600-024T-01



Q6600-005T-MP-01



QM6600-136T-MP-01



Q6600-057A-MP-01



Q6600-049A-MP-01

REPLACES AMETEK	REPLACES DAYTON	STAGE	CFM @ 2" ORFICE	SEALED H <sub>2</sub> O VACUUM	MAX AIR WATTS	MAX AMPS	OVERALL HEIGHT	TYPE (see pg 11)
<b>Q6600-024T-01 • 220 volts</b>								
116125-00	4M946	2	83	70	212	3	6.44	BPP

<b>Q6600-005T-MP-01 • 230 volts</b>								
116353-00 116420-13 116414-13 117101-00 117275-00	4M936 4M934	2	114	110	400	5.3	4.4	BPT

<b>QM6600-136T-MP-01 • 240 volts</b>								
116037-13 116296-00 116296-13	4M915	2	97	96	319	4.1	6.50	BPP

<b>Q6600-057A-MP-01 • 240 volts</b>								
119678-00 119710-00 119711-00		2	130	126	602	6.9	7.62	BPT

<b>Q6600-049A-MP-01 • 240 volts</b>								
117123-13 117123-00	3EAKS	3	108	145	551	6.4	8.16	BPT

# ACCESSORIES

## ORDER NUMBER

## DESCRIPTION



0101-004  
0101-005  
0101-010  
0101-011

120V Brush Replacement Kit  
220-240V Brush Replacement Kit  
24V Brush Replacement Kit  
36V Brush Replacement Kit



0103-001

Inlet Tube Adapter Kit for 1.5" and 1.88"



0102-001

Adapter/Mounting Kit for 5.7 to 7.2



0478-026

Mounting Gasket for Additional Sound Proofing or Improved Seal

MODEL	BRAND	REPLACEMENT	PG.	MODEL	BRAND	REPLACEMENT	PG.
17	VacuFlo	Q6600-004T	4	99115	PowerStar Compact	QM6600-151T-MP	5
78	Beam	Q6600-004T	4	99116	Brute Power Mini	Q6600-004T	4
89	Beam	Q6600-033T-MP	4	99116	PowerStar Power Mini	QM6600-151T-MP	5
90	Beam	Q6600-066A-MP	5	99193	Brute Optima Power Star	Q6600-049A-MP-01	6
100	Beam	Q6600-004T	4	99225	PowerStar Twin Motor	QM6600-135T	4
107	VacuFlo	Q6600-004T	4	99225	Brute Power Twin	Q6600-020T	4
130	Aqua Air	Q6600-066A-MP	5	99226	PowerStar Twin Motor	QM6600-135T	4
167	Beam	Q6600-004T	4	99226	Brute Power Twin	Q6600-020T	4
177	Beam	Q6600-004T	4	116025-13	Ametek	QM6600-135T	4
178	Beam	Q6600-004T	4	116037-00	Ametek	QM6600-136T-MP-01	6
180	AirVac	Q6600-020T	4	116037-13	Ametek	QM6600-136T-MP-01	6
189	Beam	Q6600-004T	4	116094-02	Ametek	QM6600-136T-MP-01	6
190	Beam	Q6600-166A-MP-1.5	5	116114-00	Ametek	Q6600-033T-MP	4
200	VacuFlo Maxum	QM6600-027T-MP	4	116125-00	Ametek	Q6600-024T-01	6
230	Aqua Air	Q6600-066A-MP	5	116155-00	Ametek	Q6600-154T-MPL	2
234	Wal Vac	Q6600-020T	4	116156-00	Ametek	Q6600-155T-MPL	3
261	Beam	Q6600-066A-MP	5	116157-00	Ametek	Q6600-148A-MPL	2
325	Wal Vac	Q6600-020T	4	116158-00	Ametek	Q6600-149A-MPL-1.8	3
330	Wal Vac	Q6600-020T	4	116158-01	Ametek	Q6600-149A-MPL	2
350	Wal Vac	Q6600-020T	4	116207-00	Ametek	Q6600-033T-MP	4
353	Beam	Q6600-004T	4	116210-50	Ametek	Q6600-033T-MP	4
371	Beam	Q6600-066A-MP	5	116212-00	Ametek	Q6600-020T	4
377	Beam	Q6600-066A-MP	5	116296-00	Ametek	QM6600-136T-MP-01	6
395	AirVac	QM6600-027T-MP	4	116296-13	Ametek	QM6600-136T-MP-01	6
550	AirVac	Q6600-020T	4	116325-00	Ametek	Q6600-063A-01	4
660	Beam	Q6600-020T	4	116336-00	Ametek	Q6600-020T	4
667	Beam	Q6600-005T-MP-01	6	116353-00	Ametek	Q6600-005T-MP-01	6
677	Beam	Q6600-024T-01	6	116355-00	Ametek	Q6600-005T-MP-01	6
750	Beam	Q6600-052A-MP	5	116325-00	Ametek	Q6600-063A-01	4
775	Beam	Q6600-052A-MP	5	116392-00	Ametek	Q6600-033T-MP	4
834	Wal Vac	Q6600-020T	4	116392-13	Ametek	Q6600-033T-MP	4
840	Fasco	Q6600-020T	4	116407-13	Ametek	Q6600-004T	4
853	Fasco	Q6600-020T	4	116414-13	Ametek	Q6600-005T-MP-01	6
1001	Eureka	Q6600-033T-MP	4	116420-13	Ametek	Q6600-005T-MP-01	6
1490	Dirt Devil Pro	Q6600-052A-MP	5	116471-00	Ametek	QM6600-027T-MP	4
1580	Centralux	Q6600-066A-MP	5	116471-13	Ametek	QM6600-027T-MP	4
1580	Electrolux	Q6600-066A-MP	5	116472-00	Ametek	Q6600-004T	4
1590	Centralux - Tapered Motor	Q6600-052A-MP	5	116472-13	Ametek	Q6600-004T	4
1590	Centralux - Flat Bottom	Q6600-066A-MP	5	116474-00	Ametek	Q6600-004T	4
1590	Electrolux	Q6600-066A-MP	5	116512-13	Ametek	Q6600-150T-MPL	3
1804	Eureka	Q6600-052A-MP	5	116513-13	Ametek	Q6600-102A-MPL	3
2000	DustCare	Q6600-020T	4	116513-29	Ametek	Q6600-102-MPL-1.5	3
2089	Beam	Q6600-004T	4	116513-32	Ametek	Q6600-102-MPL-1.8	3
2089	Beam	Q6600-033T-MP	4	116514-13	Ametek	Q6600-153T-MPL	2
2100	Beam	Q6600-066A-MP	5	116515-13	Ametek	Q6600-147A-MPL	2
2100	Beam	Q6600-166A-MP-1.5	5	116515-29	Ametek	Q6600-147A-MPL-1.5	2
2150	Beam	Q6600-066A-MP	5	116549-00	Ametek	QM6600-136T-MP-01	6
2220	Beam	Q6600-066A-MP	5	116555-00	Ametek	Q6600-154T-MPL	2
2400	Hayden	Q6600-004T	4	116556-00	Ametek	Q6600-155T-MPL	3
2500	Beam	Q6600-049A-MP-01	6	116565-00	Ametek	Q6600-166A-MP-1.5	5
2725	Beam	Q6600-052A-MP	5	116565-13	Ametek	Q6600-166A-MP	5
2775	Beam	Q6600-052A-MP	5	116565-29	Ametek	Q6600-166A-MP-1.5	5
2900	Beam	Q6600-052A-MP	5	116566-00	Ametek	QM6600-151T-MP	5
3000	Imperium	Q6600-166A-MP-1.5	5	116566-13	Ametek	QM6600-151T-MP	5
3200	Dirt Devil	Q6600-052A-MP	5	116590-00	Ametek	QM6600-136T-MP-01	6
3400	Dirt Devil	Q6600-052A-MP	5	116598-00	Ametek	Q6600-153T-MPL	2
5610	Hoover	Q6600-033T-MP	4	116598-13	Ametek	Q6600-153T-MPL	2
6000	Hayden	Q6600-066A-MP	5	116599-00<	Ametek	Q6600-154T-MPL	2
9812	Budd	Q6600-004T	4	116757-00	Ametek	QM6600-135T	4
99115	Brute Compact	QM6600-151T-MP	5	116758-13	Ametek	QM6600-135T-MP	4

**Q** - Quiet

**QM** - Quiet Moisture Protected

**MP** - Moisture Protected

**MPL** - Moisture Protected Low Voltage

**A** - Aluminum

**T** - Thermoset Plastic

**01** - Includes 2 qty 9" leads

**<** - Special Leads, verify the configuration



MODEL	BRAND	REPLACEMENT	PG.	MODEL	BRAND	REPLACEMENT	PG.
116764-00	Ametek	QM6600-151T-MP	5	2M267	Dayton	QM6600-135T	4
116764-13	Ametek	QM6600-151T-MP	5	2M428	Dayton	Q6600-063A-01	4
116765-00	Ametek	Q6600-066A-MP	5	2M429	Dayton	Q6600-020T	4
116765-13	Ametek	Q6600-066A-MP	5	2M430	Dayton	Q6600-033T-MP	4
117073-00	Ametek	Q6600-004T	4	2M433	Dayton	QM6600-027T-MP	4
117100-00	Ametek	Q6600-004T	4	3000C	Dust Care	QM6600-027T-MP	4
117101-00	Ametek	Q6600-005T-MP-01	6	3000C	DustCare - Top Bottom	Q6600-020T	4
117123-00	Ametek	Q6600-049A-MP-01	6	3500A	Beam	Q6600-052A-MP	5
117123-13	Ametek	Q6600-049A-MP-01	6	375C	Beam	Q6600-052A-MP	5
117275-00	Ametek	Q6600-005T-MP-01	6	399R-Booster	RhinoVac	Q6600-066A-MP	5
117939-00	Ametek	QM6600-151T-MP	5	399R-L	RhinoVac	Q6600-066A-MP	5
119413-00	Ametek	QM6600-135T	4	3EAK5	Dayton	Q6600-049A-MP-01	6
119414-00	Ametek	Q6600-020T	4	3GXE8	Dayton	QM6600-135T	4
119432-00	Ametek	Q6600-102A-MPL	3	3GXE9	Dayton	Q6600-020T	4
119433-13	Ametek	Q6600-147A-MPL	2	3GXF3	Dayton	Q6600-147A-MPL	2
119435-00<	Ametek	Q6600-154T-MPL	2	4M914	Dayton	QM6600-151T-MP	5
119436-00<	Ametek	Q6600-148A-MPL	2	4M915	Dayton	QM6600-136T-MP-01	6
119436-13	Ametek	Q6600-148A-MPL	2	4M918	Dayton	Q6600-102A-MPL	3
119438-00	Ametek	Q6600-153T-MPL	2	4M919	Dayton	Q6600-147A-MPL	2
119503-13	Ametek	QM6600-135T-R	4	4M920	Dayton	Q6600-102-MPL-1.8	3
119516-00	Ametek	Q6600-154T-MPL	2	4M921	Dayton	Q6600-066A-MP	5
119517-00	Ametek	Q6600-153T-MPL	2	4M923	Dayton	Q6600-166A-MP	5
119631-00	Ametek	Q6600-052A-MP	5	4M924	Dayton	Q6600-166A-MP-1.5	5
119633-07	Ametek	Q6600-052A-MP	5	4M927	Dayton	Q6600-033T-MP	4
119678-00	Ametek	Q6600-057A-MP-01	6	4M933	Dayton	Q6600-148A-MPL	2
119703-00*	Ametek	Q6600-148A-MPL	2	4M934	Dayton	Q6600-005T-MP-01	6
119708-00	Ametek	Q6600-052A-MP	5	4M936	Dayton	Q6600-005T-MP-01	6
119710-00	Ametek	Q6600-057A-MP-01	6	4M937	Dayton	Q6600-004T	4
119711-00	Ametek	Q6600-057A-MP-01	6	4M943	Dayton	Q6600-153T-MPL	2
119731-00<	Ametek	Q6600-148A-MPL	2	4M945	Dayton	QM6600-151T-MP	5
119891-00	Ametek	Q6600-148A-MPL	2	4M946	Dayton	Q6600-024T-01	6
119913-00	Ametek	Q6600-052A-MP	5	4M953	Dayton	QM6600-027T-MP	4
119956-00	Ametek	Q6600-052A-MP	5	4M983	Dayton	Q6600-004T	4
119992-00	Ametek	Q6600-052A-MP	5	657R-LS	RhinoVac	Q6600-052A-MP	5
131300-13	Ametek	Q6600-033T-MP	4	677S	Beam	QM6600-136T-MP-01	6
131410-13	Ametek	Q6600-066A-MP	5	697B	Beam	Q6600-049A-MP-01	6
131500-00	Ametek	Q6600-020T	4	697C	Beam	Q6600-049A-MP-01	6
167C	Beam	Q6600-004T	4	697D	Beam	Q6600-049A-MP-01	6
167S	Beam	Q6600-004T	4	697G	Beam	Q6600-049A-MP-01	6
168C	Beam	QM6600-027T-MP	4	699e	Royal	Q6600-052A-MP	5
180A	AirVac	Q6600-020T	4	750A	Beam	Q6600-052A-MP	5
189C	Beam	Q6600-004T	4	775A	Beam	Q6600-052A-MP	5
189S	Beam	Q6600-004T	4	851DM	Fasco	Q6600-020T	4
197C	Beam	Q6600-066A-MP	5	852SVD	Fasco	Q6600-020T	4
197D	Beam	Q6600-166A-MP-1.5	5	9813P	Budd	QM6600-135T	4
197S	Beam	Q6600-066A-MP	5	AAA137	Eureka	Q6600-066A-MP	5
197S	Beam	Q6600-166A-MP-1.5	5	ACV 1		QM6600-135T	4
199C	Beam	Q6600-066A-MP	5	AKCV35	AirKing	Q6600-004T	4
199ED	Beam	Q6600-049A-MP-01	6	AKCVP35	AirKing	Q6600-004T	4
199J	Beam	Q6600-066A-MP	5	AKCVQZ15	AirKing	Q6600-004T	4
225A	Beam	Q6600-066A-MP	5	AKCVQZ35	AirKing	Q6600-004T	4
2500B	Beam	Q6600-049A-MP-01	6	AV195	AirVac	Q6600-004T	4
275A	Beam	Q6600-066A-MP	5	AV2500	AirVac	Q6600-004T	4
2775VIL	Beam	Q6600-052A-MP	5	AV3500	AirVac	Q6600-066A-MP	5
2900A	Beam	Q6600-052A-MP	5	AV400	AirVac	Q6600-004T	4
299A	Beam	Q6600-066A-MP	5	AV425	AirVac	Q6600-004T	4
2M189	Dayton	Q6600-154T-MPL	2	AV425A	AirVac	Q6600-004T	4
2M190	Dayton	Q6600-155T-MPL	3	AV550	AirVac	Q6600-020T	4
2M201	Dayton	Q6600-033T-MP	4	AV600	AirVac	Q6600-066A-MP	5
2M266	Dayton	QM6600-135T	4	AV625	AirVac	Q6600-049A-MP-01	6

**Q** - Quiet

**QM** - Quiet Moisture Protected

**MP** - Moisture Protected

**MPL** - Moisture Protected Low Voltage

**A** - Aluminum

**T** - Thermoset Plastic

**01** - Includes 2 qty 9" leads

**<** - Special Leads, verify the configuration

**\*** - Add kit 0103-001 inlet tube adapter for 1.5" to 1.88"

MODEL	BRAND	REPLACEMENT	PG.	MODEL	BRAND	REPLACEMENT	PG.
AV850	AirVac	QM6600-136T-MP-01	6	E117A	Aerus	Q6600-066A-MP	5
B2	MD	Q6600-020T	4	E130A	Centralux	Q6600-052A-MP	5
B522421	Ermator	Q6600-020T	4	E130F	Centralux	Q6600-052A-MP	5
B527297	Ermator	QM6600-027T-MP	4	E130G	Centralux	Q6600-052A-MP	5
CFM2	AirFlo	Q6600-020T	4	E177A	Aerus	Q6600-066A-MP	5
CFM3	AirFlo	Q6600-020T	4	E1801B	Eureka	Q6600-049A-MP-01	6
CV07	Central Vac International	QM6600-135T	4	E1801C	Eureka	Q6600-049A-MP-01	6
CV07	Central Vac International	Q6600-020T	4	E3	MD	Q6600-020T	4
CV107G	Eureka	Q6600-052A-MP	5	ECV1590A	Aerus	Q6600-066A-MP	5
CV107H	Eureka	Q6600-052A-MP	5	ECV1690A	Aerus	Q6600-066A-MP	5
CV137BF	Eureka	Q6600-066A-MP	5	FB7700XS	Whirlpool	Q6600-004T	4
CV137C	Eureka	Q6600-066A-MP	5	FC1550	VacuFlo	Q6600-052A-MP	5
CV137D	Eureka	Q6600-066A-MP	5	FC610	VacuFlo	Q6600-052A-MP	5
CV137F	Eureka	Q6600-066A-MP	5	FCV460S	Frigidaire	Q6600-052A-MP	5
CV137G	Eureka	Q6600-052A-MP	5	FCV520S	Frigidaire	Q6600-052A-MP	5
CV137H	Eureka	Q6600-052A-MP	5	FGCV315SQ	Frigidaire	Q6600-066A-MP	5
CV1601-B	Eureka	Q6600-066A-MP	5	FGCV460SQ	Frigidaire	Q6600-052A-MP	5
CV1601BF	Eureka	Q6600-066A-MP	5	FGCV520SQ	Frigidaire	Q6600-052A-MP	5
CV1601D	Eureka	Q6600-066A-MP	5	FX2000	AirVac	Q6600-004T	4
CV1601F	Eureka	Q6600-066A-MP	5	FX3000	AirVac	Q6600-066A-MP	5
CV1601G	Eureka	Q6600-066A-MP	5	FX5800	AirVac	Q6600-004T	4
CV1601K	Eureka	Q6600-066A-MP	5	FX800	Filtex	Q6600-066A-MP	5
CV1601L	Eureka	Q6600-066A-MP	5	FX900	M & S	Q6600-049A-MP-01	6
CV1601M	Eureka	Q6600-052A-MP	5	GS072-3450	GS Electric	Q6600-020T	4
CV160H	Eureka	Q6600-066A-MP	5	H502	Honeywell	Q6600-052A-MP	5
CV-180	Broan	Q6600-020T	4	H602	Honeywell	Q6600-052A-MP	5
CV1801A	Eureka	Q6600-066A-MP	5	H702	Honeywell	Q6600-052A-MP	5
CV1801B	Eureka	Q6600-066A-MP	5	MK-I	AstroVac	Q6600-004T	4
CV1801D	Eureka	Q6600-066A-MP	5	PE371	Beam	Q6600-066A-MP	5
CV1801G	Eureka	Q6600-066A-MP	5	PU300A	Imperium	Q6600-052A-MP	5
CV1801H	Eureka	Q6600-066A-MP	5	PU3450	Electrolux	Q6600-052A-MP	5
CV1801K	Eureka	Q6600-052A-MP	5	PU3650	Electrolux	Q6600-052A-MP	5
CV1801L	Eureka	Q6600-052A-MP	5	PU375A	Imperium	Q6600-052A-MP	5
CV1801M	Eureka	Q6600-052A-MP	5	S44	Silent Master	Q6600-052A-MP	5
CV-181	Broan	Q6600-020T	4	S5602	Hoover	Q6600-004T	4
CV-20	Broan	Q6600-004T	4	S5610	Hoover	Q6600-004T	4
CV3231A	Eureka	Q6600-066A-MP	5	S5615	Hoover	Q6600-004T	4
CV3291A	Eureka	Q6600-052A-MP	5	S5620	Hoover	Q6600-166A-MP-1.5	5
CV3291B	Eureka	Q6600-052A-MP	5	S5626	Hoover	Q6600-066A-MP	5
CV3291C	Eureka	Q6600-052A-MP	5	S5629080	Hoover	Q6600-066A-MP	5
CV3291D/F	Eureka	Q6600-052A-MP	5	S5630	Hoover	Q6600-166A-MP-1.5	5
CV-40	Broan Bottom Motor	QM6600-136T-MP-01	6	SC1200	Royal	Q6600-052A-MP	5
CV400	Nutone - Before 2010	Q6600-033T-MP	4	SR-40	AstroVac	Q6600-066A-MP	5
CV450	NuTone - Lower Motor	Q6600-033T-MP	4	SR-40V	AstroVac	Q6600-066A-MP	5
CV450	NuTone - Upper Motor	Q6600-033T-MP	4	SR-41	AstroVac	Q6600-066A-MP	5
CV554	NuTone	Q6600-004T	4	SR-42	AstroVac	Q6600-004T	4
CV570	NuTone	Q6600-033T-MP	4	SR-43	AstroVac	Q6600-066A-MP	5
CV7	Central Vac International	QM6600-135T	4	SR-82	AstroVac	Q6600-066A-MP	5
CV7	Central Vac International	Q6600-020T	4	SR-88	AstroVac	Q6600-066A-MP	5
CV750	NuTone - Lower Motor	Q6600-033T-MP	4	SR-89	AstroVac	Q6600-049A-MP-01	6
CV750	NuTone - Upper Motor	Q6600-033T-MP	4	V1000	Vacuqueen	Q6600-004T	4
CV8000	Imperium	Q6600-020T	4	V180C	Broan	Q6600-020T	4
CV850	Nutone	Q6600-049A-MP-01	6	V20C	Broan	Q6600-004T	4
CV920A	Eureka	Q6600-066A-MP	5	V40C	Broan Bottom Motor	QM6600-136T-MP-01	6
CVS07	Central Vac International	QM6600-135T	4	VM180A	AirVac	Q6600-020T	4
CVS07	Central International	Q6600-020T	4	VX475	NuTone	Q6600-052A-MP	5
CVS07DP	Central Vac International	QM6600-135T	4	VX475C	NuTone	Q6600-052A-MP	5
CVS07DP	Central International	Q6600-020T	4	ZX5800	AirVac	Q6600-004T	4
CVS5500	Eureka	Q6600-052A-MP	5	ZX6000	AirVac	Q6600-066A-MP	5
DCC6	Dust Care	Q6600-066A-MP	5				

**Q** - Quiet

**QM** - Quiet Moisture Protected

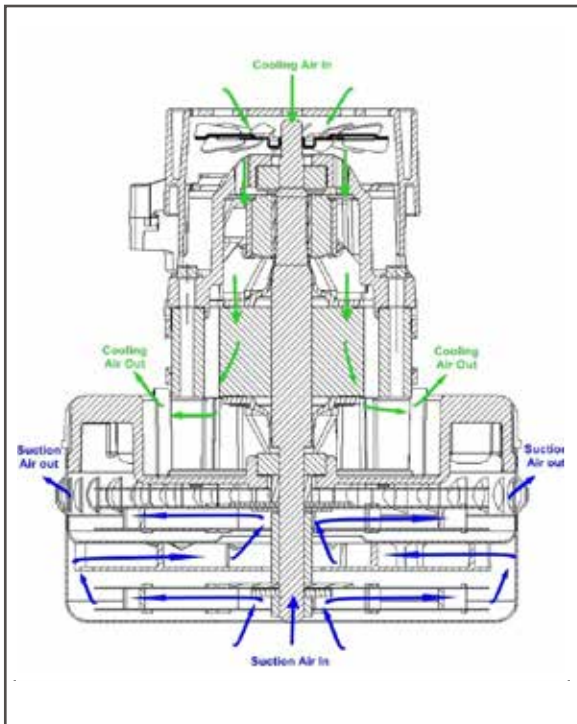
**MP** - Moisture Protected

**MPL** - Moisture Protected Low Voltage

**A** - Aluminum

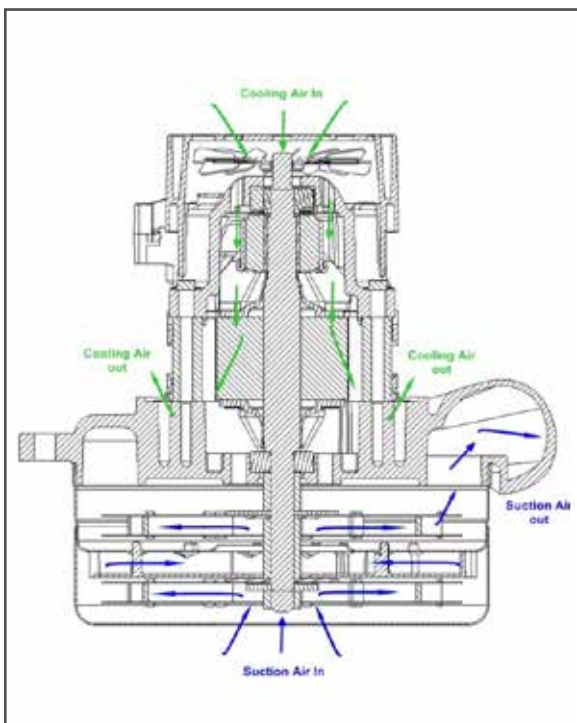
**T** - Thermoset Plastic

**01** - Includes 2 qty 9" leads



### BYPASS PERIPHERAL (BPP)

This type utilizes two air flow systems. The first is for the working air that vacuums up the debris. This working, filtered air exhausts through the louvers in the motor fan housing. The second airflow system is strictly to cool the motor windings and uses a small fan dedicated for this purpose.



### BYPASS TANGENTIAL (BPT)

Same as Peripheral bypass with two airflow systems except the working filtered air exhaust exits through the tangential horn integral to the 3 lugged motor mounting bracket.

# VACUUM

MOTOR CATALOG *300*

*CALIFORNIA*

*ILLINOIS*

*MISSOURI*

*CONNECTICUT*

*MARYLAND*

*NORTH CAROLINA*

*COLORADO*

*MICHIGAN*

*TENNESSEE*

*FLORIDA*

*MINNESOTA*

*TEXAS*