

DRYERJET

CLOTHES DRYER VENT BOOSTER

1.19.15



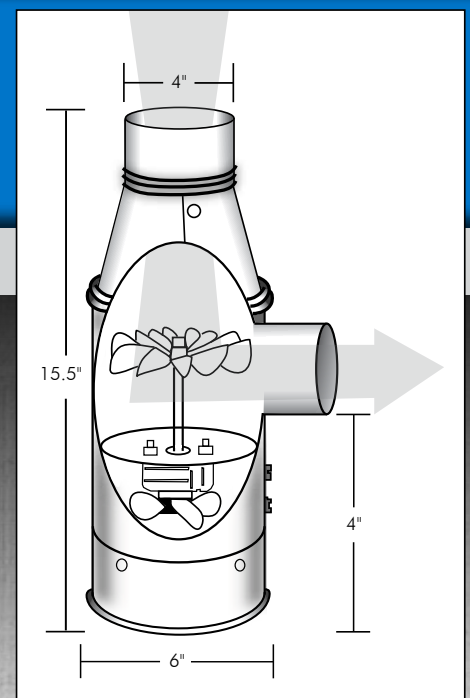
EASY INSTALL A9460

- Auto operation with adjustable pressure switch and 10 foot cord.
- No wiring necessary, just plug it in!
- Install next to dryer or anywhere in the line.
- Ball bearing motor OUT of air stream-no lint on motor.
- The DryerJet has been tested on runs up to 50 feet of duct and up to four 90° bends. Testing was done by an independent lab at Florida International University.



Tested to CSA standard C22.2 113-M 1984 UL standard 507

WHEN THE DRYER EXHAUST HAS A LONG RUN TO THE VENT IT INCREASES DRYING TIME AS WELL AS WEAR AND TEAR ON DRYER...



WWW.PEMSMOTORS.COM

PRECISION ELECTRIC MOTOR SALES • OWOSSO, MICHIGAN • P: 800.234.5687 F: 888.234.5687